

# Reduced Flange 38999 Jam Nut Receptacles

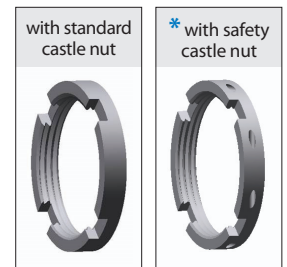


Derived connector from MIL-DTL-38999 Series III

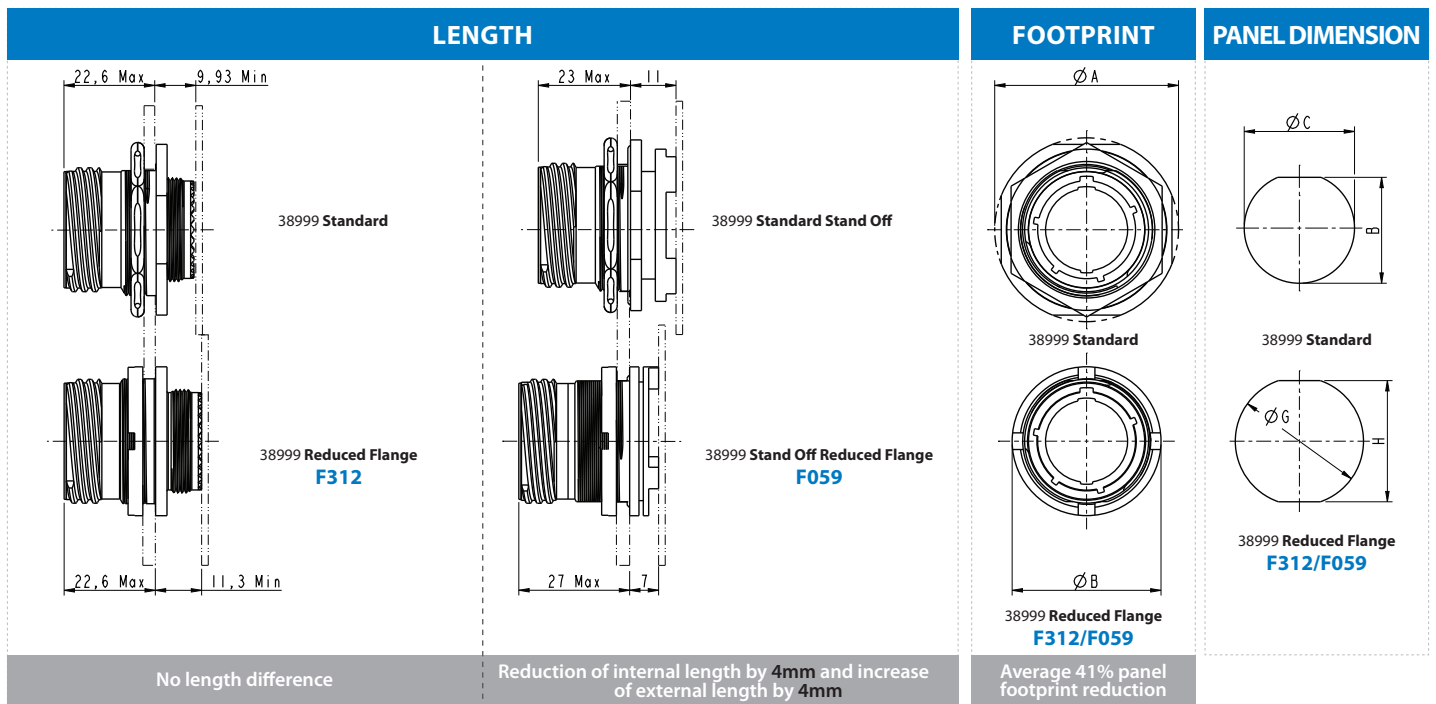
Where Small Dimensions & Lower Weight are critical ...

## MAIN FEATURES

- ▶ Derived from MIL-DTL-38999 series III version
- ▶ For Jam Nut Receptacles (TV07/TVS07)
- ▶ Higher density on panel **41% average footprint surface reduction**
- ▶ Lighter: **30% average lighter than standard 38999 stand off receptacle**
- ▶ Mates with standard MIL-DTL-38999 series III plugs and caps
- ▶ Matches MIL-DTL-38999 series III performances
- ▶ Available in Crimp version, with PC Tail contacts, and in Stand Off version
- ▶ Reduced Flange Deviation (to be added at the end of your part number):
  - **F312** for Crimp and Standard PC Tail versions (F311 with safety castle nut\*)
  - **F059** for Stand Off PC Tail versions (F058 with safety castle nut\*)



## SMALLER DIMENSIONS



## MARKETS & APPLICATIONS

- ▶ C4ISR, Battlefield communication, Ground vehicles
- ▶ Missiles & UAVs
- ▶ Avionics
- ▶ Navy
- ▶ Ethernet Switches
- ▶ Tactical Radios, Computers



## FOOTPRINT SAVING

Average 41% footprint reduction:

Shell Sizes	38999 standard diameter ØA max (mm)	38999 Reduced Flange (F312 & F059) diameter ØB max (mm)	Footprint reduction 38999 Standard vs 38999 Reduced Flange
9	30,5	22,1	47%
11	35,2	25,1	49%
13	38,4	28,1	46%
15	41,6	32,1	40%
17	44,8	36,1	35%
19	49,5	38,1	41%
21	52,7	41,1	39%
23	55,9	44,1	38%
25	59	48,1	34%

## WEIGHT SAVING

Average 30% weight reduction:

Example :

38999 Series III stand off version: TV07WCI13-35P F459 = 31.46 g

38999 Series III Reduced flange stand off version : TV07WCI13-35P F059 = 19.49 g

> The #13 Reduced flange stand off version is 38 % lighter than 38999 Series III standard stand off version.

## PANEL DIMENSION

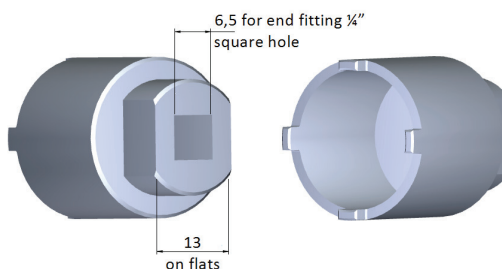
Size	B 0 -0,25	ØC +0,25 0	ØG +0,1 0	ØH +0,1 0
9	16,7	17,6	17	16
11	19,59	20,96	20	19,1
13	24,26	25,65	23	22,3
15	27,56	28,83	27	25,5
17	30,73	32,01	31	29,3
19	33,91	35,18	33	31,9
21	37,08	38,35	36	35,1
23	40,26	41,53	39	38,3
25	43,43	44,7	43	41,5

For dimension B, size 9 only, tolerance is +0,10 / -0,06

## TOOLS

Need of a specific tool for castle nut :

Sizes	Tools Part Number
9	809681
11	809682
13	809683
15	809684
17	809685
19	809686
21	809687
23	809688
25	809689



## HOW TO ORDER

Series	TV	07	R	W	-	11-35	P	A	-	F312	-
<b>TV:</b> Metallic shell											
<b>Shell type</b>											
<b>07:</b> Jam nut receptacle (O.D.cadmium, black zinc nickel)											
<b>S07:</b> Jam nut receptacle (nickel, bronze)											
<b>Contact type</b>											
<b>R:</b> Crimp contacts (or connector delivered without contact) Blank for PC tail contacts and black zinc nickel plating											
<b>Class</b>											
<b>W:</b> Olive Drab Cadmium Plating (on aluminium)											
<b>F:</b> Nickel Plating (on aluminium) ✓											
<b>B:</b> Marine Bronze ✓											
<b>ZN:</b> Black Zinc Nickel Plated (on aluminium) ✓											
<b>PC Tail Contacts</b>											
Blank for crimp contacts											
<b>CI:</b> standard PCB contacts											
<b>LI:</b> long tail PCB contacts											
<b>Shell size and Contact arrangement</b>											
Please consult TV-CTV catalogue - Arrangement chapter											
<b>Contact type</b>											
<b>P:</b> Pin											
<b>S:</b> Socket											
<b>Polarization</b>											
Blank for neutral or <b>A, B, C, D, E</b>											
<b>Contacts</b>											
Blank for connectors delivered with contacts											
<b>LC:</b> Connector delivered without contacts											
<b>Deviation</b>											
<b>F312:</b> Crimp or standard PC Tail Reduced Flange											
<b>F059:</b> Stand off PC Tail Reduced Flange											
<b>F311:</b> Crimp or standard PC Tail Reduced Flange with safety castle nut											
<b>F058:</b> Stand off PC Tail Reduced Flange with safety castle nut											
Blank for Gold plated Crimp contacts											
Blank for Lead Tin PC Tails contacts											
<b>LF:</b> Silver Tin PC Tail contacts ✓											
<b>LFC:</b> Silver Tin Copper PC Tail contacts ✓											

Examples: TV07RW1135PAF312 ; TV07WCI1135PAF059LF.

✓: RoHS compliant