

948, Promenade de l'Arve – BP 29 - France - 74311 Thyez Cedex
 Tél. : +33 (0) 4 50 89 28 00 - Fax : +33 (0) 4 50 96 29 75

Product Change Notification		Reference	
		PCN # 115758	Issue Date October, 5th 2015
Product Range	USBFTVKEY	Part number	See details below
Origin	Amphenol Socapex France	Distribution	Customers & Distributors(*)

(*) Distributors must forward this information to their customers.

Subject

Rugged USB 2.0 memory keys with 4 & 8GB capacities are now Obsolete
Our minimum capacity for rugged memory keys becomes 16 GB in USB 3.0
(USB 3.0 memory keys are compatible with both USB 2.0 and USB 3.0 ports)

Nature of Change

Our rugged USB memory key offer is subjected to electronic market evolution.
 Memory capacity of 4 & 8 GB are now obsolete so Amphenol Socapex is unable to provide these products version anymore. See detailed list below:





Obsolete standard part numbers	Alternative P/N (See drawing on page 2)
USBAP KEY 4096	No alternative
USBAP KEY 8192	No alternative
USBF TV KEY 6 A 4096 G CAP	USB3FTVKEY 6 A 16 G CAP APA
USBF TV KEY 6 B 4096 G CAP	USB3FTVKEY 6 B 16 G CAP APA
USBF TV KEY 6 A 4096 N CAP	USB3FTVKEY 6 A 16 N CAP APA
USBF TV KEY 6 A 4096 ZN CAP	USB3FTVKEY 6 A 16 ZN CAP APA
USBF TV KEY 6 A 4096 G	USB3FTVKEY 6 A 16 G APA
USBF TV KEY 6 A 4096 N	USB3FTVKEY 6 A 16 N APA
USBF KEY 4096 G	No alternative
USBF KEY 4096 N	No alternative
USBF KEY 4096 B	No alternative
USBF KEY 8192 G	No alternative
USBF KEY 8192 N	No alternative
USBF KEY 8192 B	No alternative

Implementation Date : For immediate application

For further information, please contact :

Sophie FRANQUET (Engineer Technical Support) **Email** : sophie.franquet@amphenol-socapex.com

Approvals

Engineering	Yves GUILLOT  08.10.15.	Marketing	Stephane MALARD  S. MALARD 08/10/15
Quality	Christel JULLIAN  08/10/15	Manufacturing	Christel JULLIAN  08/10/15

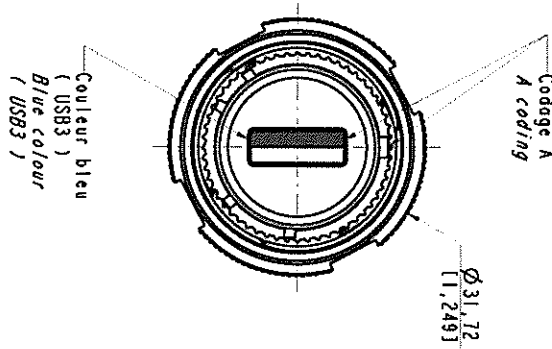
Product Change Notification

Reference
PCN # 115758

Nb of pages
 2 (2 of 2)

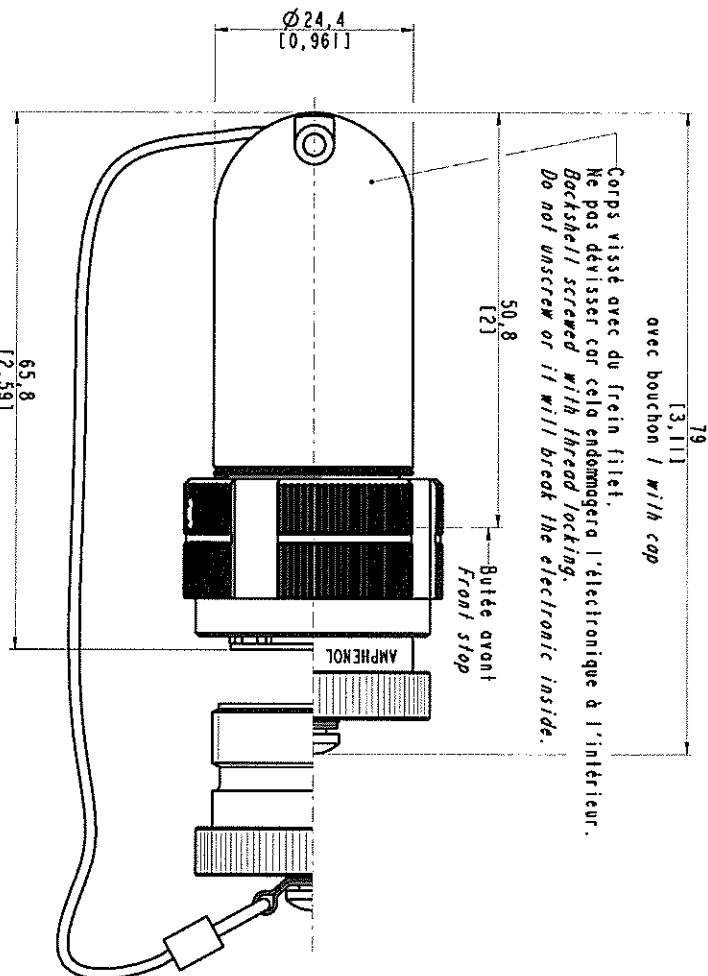
Issue Date
 October, 5th 2015

DANS LE BUT CONSTANT D'AMÉLIORER SES PRODUITS, Amphenol Socapex SE RÉSERVE LE DROIT D'EN MODIFIER TOUTE COTE OU CARACTÉRISTIQUE.
 IMP 636 A

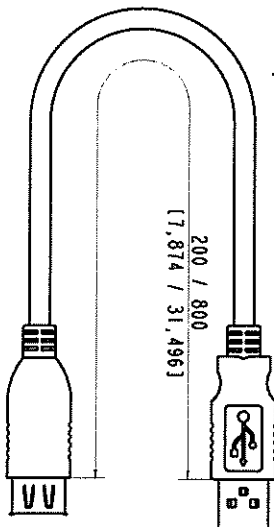


Clefs memoire 16GB à 64GB USB3F TV avec PLM "gestion de la vie du produit" / 16GB to 64GB USB3F TV memory key with PLM "Product life management"

Références sans bouchon / References without cap	Références avec bouchon / References with cap
USB3F TV KEY 6 A 16 X APA	USB3F TV KEY 6 A 16 X CAP APA
USB3F TV KEY 6 A 32 X APA	USB3F TV KEY 6 A 32 X CAP APA
USB3F TV KEY 6 A 64 X APA	USB3F TV KEY 6 A 64 X CAP APA



Protection / Plating:
 G: Cadmium vert olive / Olive drab cadmium
 N: Nickel



MODIFICATIONS

A	Plan original	ECHELLE
2		2

Amphenol Socapex
 BP 29 - 74311 - THYEZ - CEDEX

DESSIN: M. Poliers
 TECHNIQUE: T. Gentil
 LE: 32/04/15
 191-PLC-669-00 1/1