

Avis de Modification Produit / Process <i>Product / Process Change Notification</i>		Référence / Reference PCN 115843	
		Nb de pages / No. of pages 10	Date de Diffusion / Issue Date March 2017 10/03/17
Familles Produit / Product Families	MIL-DTL-38999 series III, RJFTV, USBFTV & RJ11FTV	Références Concernées / Concerned Part Numbers	Voir liste jointe / See attached list
Origine / Origin	Modification produit / Product modification	Diffusion / Distribution	ALL CUSTOMERS Distributors must inform their own customers

Sujet / Subject

Modification de design des bouchons MIL-DTL-38999 séries III, RJFTV, USBFTV et RJ11FTV.

Design modification of MIL-DTL-38999 series III, RJFTV, USBFTV & RJ11FTV protective caps.

Modification / Nature of Change

Afin de réduire le diamètre extérieur et le poids du produit, ainsi que de rationaliser les différentes gammes de bouchons proposées par Amphenol Socapex, le design des bouchons MIL-DTL-38999 séries III, RJFTV, USBFTV et RJ11FTV sera modifié :

- Diamètre extérieur réduit
- Nouvelle longueur de cordelette (160mm pour les fiches, 127mm pour les embases)
- Moletage diamant
- Poids réduit :
 - o Bouchons MIL-DTL-38999 séries III : en moyenne 16% pour les fiches ; 21% pour les embases
 - o Bouchons RJFTV : 18% pour les fiches ; 10% pour les embases
 - o Bouchons USBFTV & RJ11FTV: 21% pour les fiches ; 14% pour les embases

Vous trouverez ci-après le comparatif technique entre l'ancien et le nouveau design.

Les références des produits resteront inchangées et les délais de livraison réduits.

Ce changement prendra effet à partir de **Mars 2017 pour les bouchons RJFTV, USBFTV et RJ11FTV.**

Pour les bouchons **MIL-DTL-38999 séries III (TV)**, ce changement prendra effet à partir **d'Avril 2017**. Les deux types de designs pourront être livré jusqu'à consommation totale de l'ancien

design. **Durant cette période, un seul design sera livré pour une même commande.**

In order to reduce the outside diameter and the weight of the product, and to rationalize the different protective cap ranges, the design of MIL-DTL-38999 series III, RJFTV, USBFTV & RJ11FTV protective caps will be modified :

- *Reduced outside diameter*
- *New lanyard (attachment) length (160mm for plugs, 127mm for receptacles)*
- *Diamond knurling*
- *Reduced weight*
 - *MIL-DTL-38999 series III caps: average 16% for plugs ; 21% for receptacles*
 - *RJFTV caps: 18% for plugs ; 10% for receptacles*
 - *USBFTV & RJ11FTV caps: 21% for plugs ; 14% for receptacles*

Please find below the technical comparison between the former and the new design.

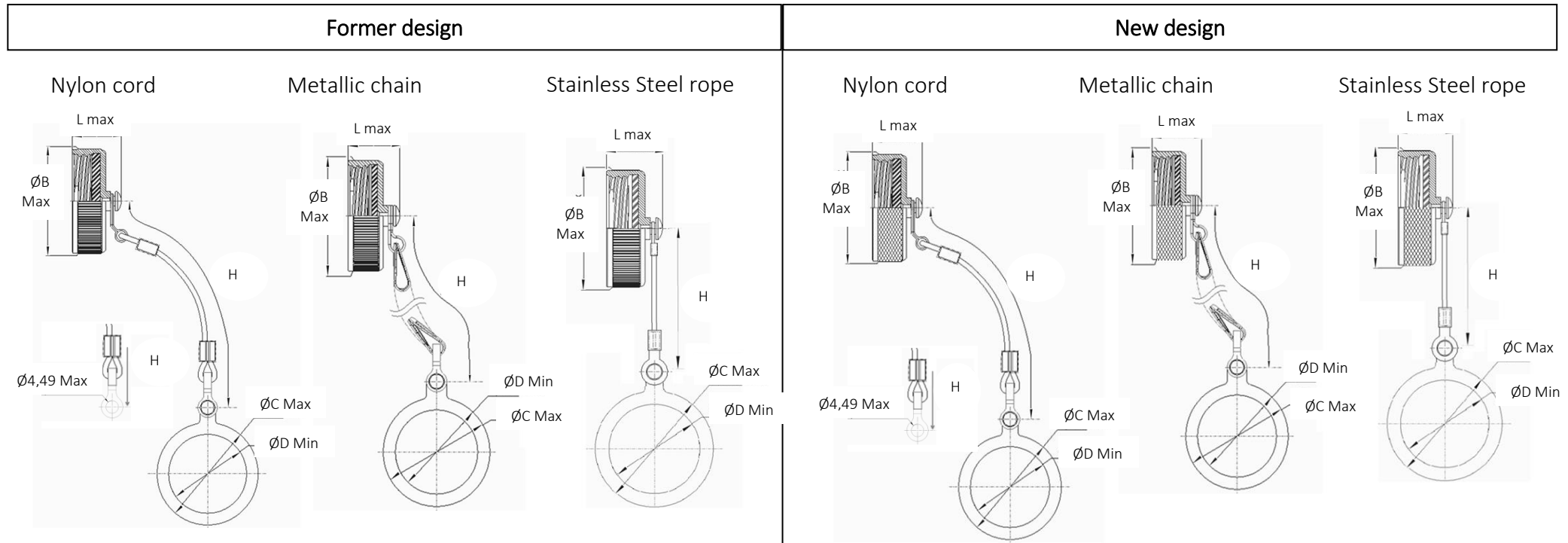
Product references will remain unchanged and the lead time will be reduced.

*This modification will be effective from **March 2017 for RJFTV, USBFTV & RJ11FTV protective caps.***

*For **MIL-DTL-38999 series III (TV) protective caps, this modification will be effective from April 2017.** New and old design can be delivered until the existing of old design is consumed. **During this period, only one design live be delivered for each order.***

Technical comparison - Former & New design

Protective caps for MIL-DTL-38999 series III (TV/CTV) Receptacles



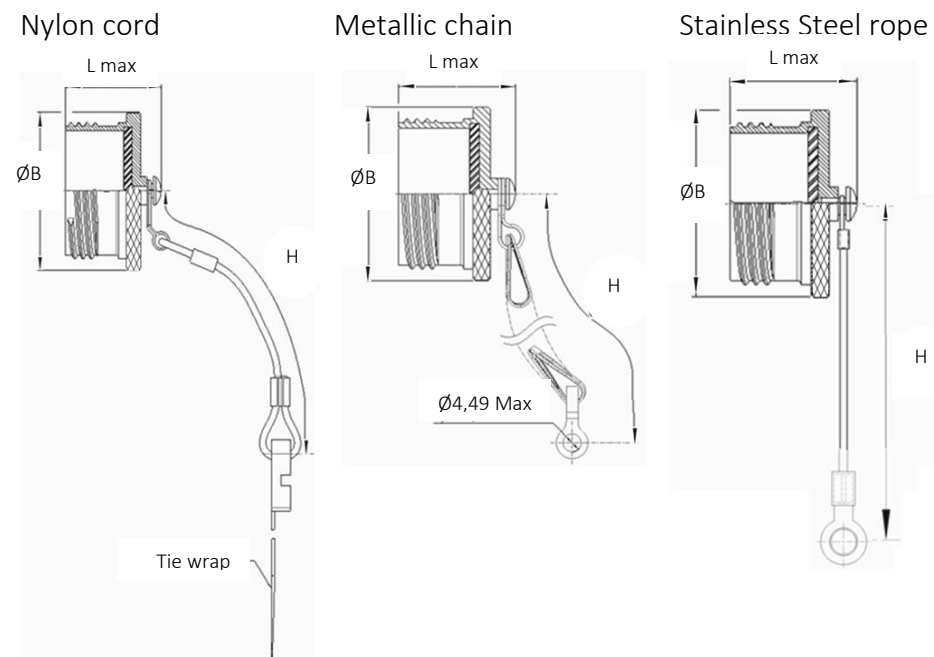
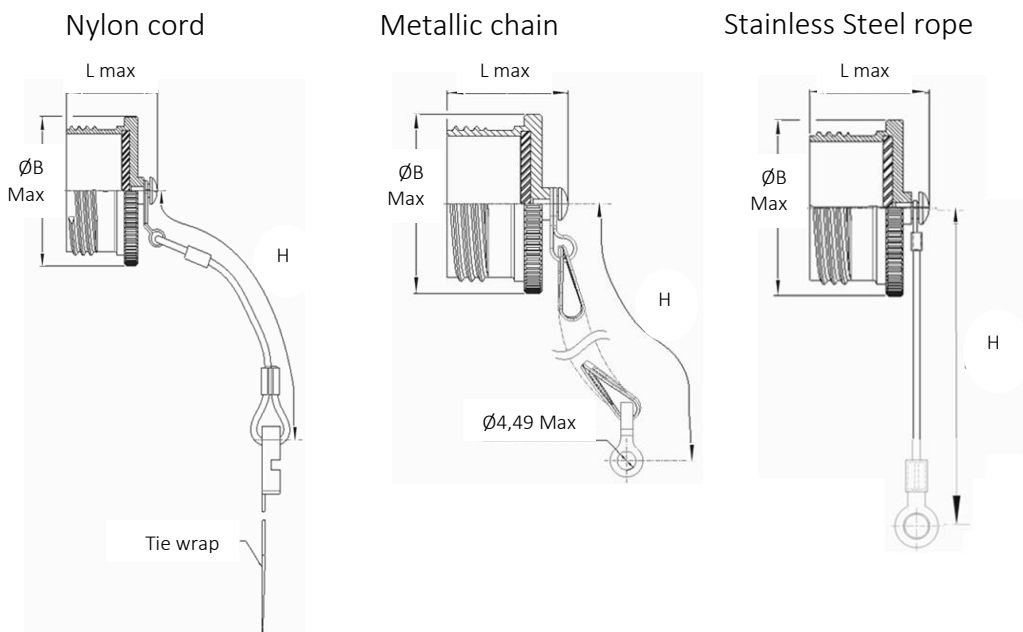
Size	Type of Knurling	ØB Max (mm) (After Knurling)	L Max (mm)	Length for All attachments $\{(H +13,-7)\}$ (mm)	ØC Max (OD) (mm)	ØD Min (ID) (mm)
9	Straight	23	23	127	27	17,64
11		28			32	21,97
13		31			37	25,15
15		32			40	29,92
17		37			44	32,00
19		39			46	36,27
21		42			49	38,25
23		45			54	42,62
25		49			56	44,45

Size	Type of Knurling	ØB Max (mm) (After Knurling)	L Max (mm)	Length for All attachments $\{(H +13,-7)\}$ (mm)	ØC Max (OD) (mm)	ØD Min (ID) (mm)
9	Diamond	19,4	23	127	27	17,64
11		22,6			32	21,97
13		25,75			37	25,15
15		28,9			40	29,92
17		33,8			44	32,00
19		35,4			46	36,27
21		38,6			49	38,25
23		41,7			54	42,62
25		44,9			56	44,45

Technical comparison - Former & New design

Protective caps for MIL-DTL-38999 series III (TV/CTV) Plugs

Former design	New design
---------------	------------



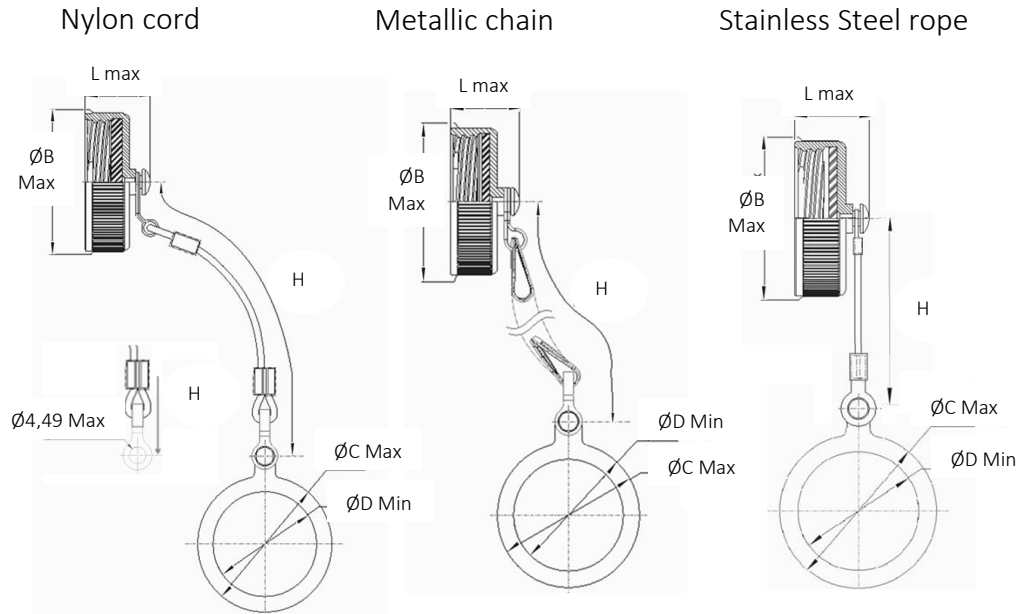
Size	Type of Knurling	ØB Max (mm) (After Knurling)	L Max (mm)	Length for All attachments {H (-13,-7)} (mm)
9	Straight	23	30	127
11		26		
13		31		
15		33		
17		37		
19		40		
21		44		
23		46		
25		50		

Size	Type of Knurling	ØB Max (mm) (After Knurling)	L Max (mm)	Length for All attachments {H±5} (mm)
9	Diamond	17,2	30	160
11		20,5		
13		24,3		
15		27,4		
17		30,6		
19		33,3		
21		36,4		
23		39,7		
25		42,8		

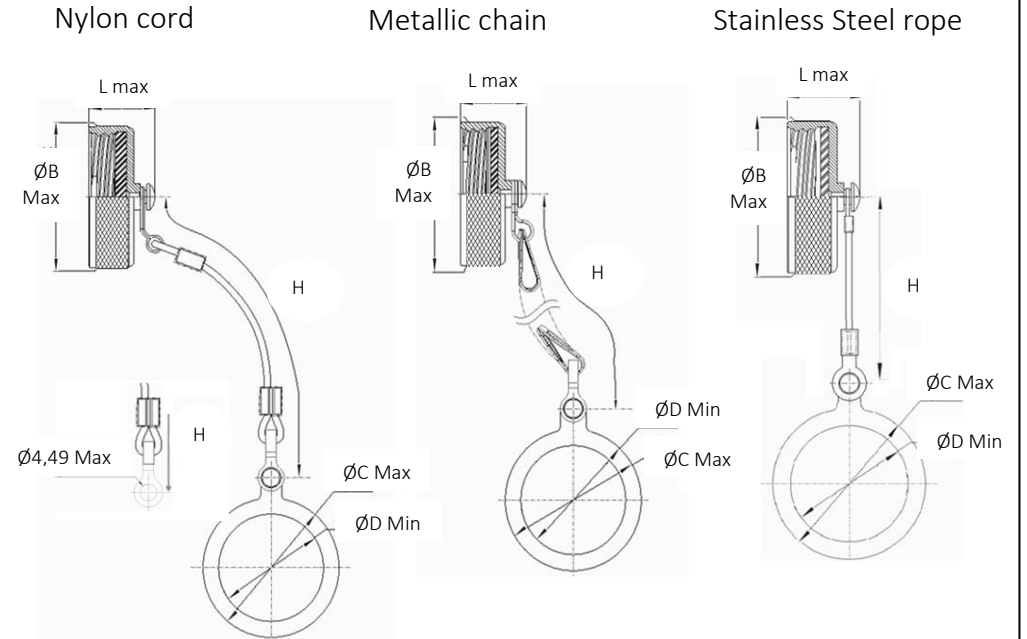
Technical comparison - Former & New design

Protective caps for RJF TV Receptacles

Former design



New design



Size	Type of Knurling	ØB Max (mm) (After Knurling)	L Max (mm)	Length "H±5" (mm) with attachment			ØC Max (mm) (OD)	ØD Min (mm) (ID)
				Nylon cord	Metallic chain	S.S.Rope		
19	Straight	39	23	105	152	105	45	36,27

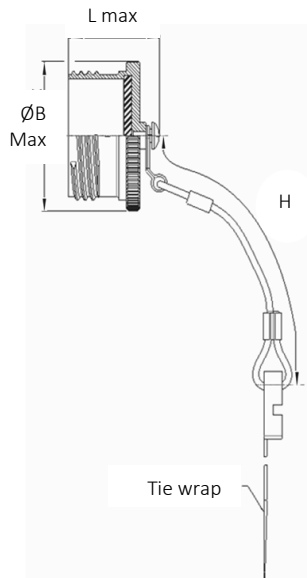
Size	Type of Knurling	ØB Max (mm) (After Knurling)	L Max (mm)	Length "H" (+13,-7) (mm) with attachment			ØC Max (mm) (OD)	ØD Min (mm) (ID)
				Nylon cord	Metallic chain	S.S.Rope		
19	Diamond	35,4	23	127			46	36,27

Technical comparison - Former & New design

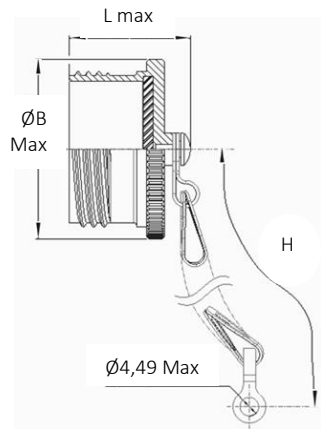
Protective caps for RJF TV Plugs

Former design

Nylon cord



Metallic chain

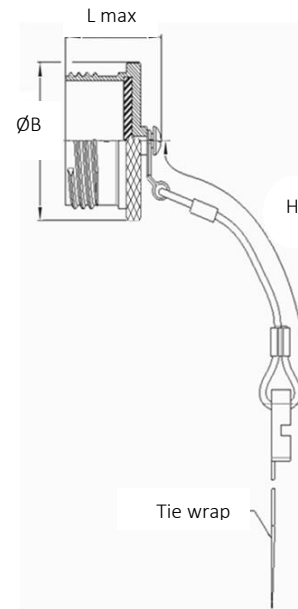


Stainless Steel rope

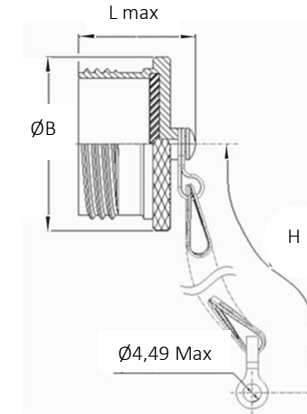
Doesn't
exist

New design

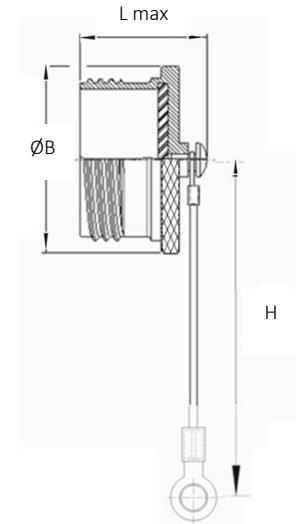
Nylon cord



Metallic chain



Stainless Steel rope



Size	Type of Knurling	ØB Max (mm) (After Knurling)	L Max (mm)	Length "H" (in mm) with attachment		
				Nylon cord	Metallic chain	S.S.Rope
19	Straight	40	30	160	152	

Size	Type of Knurling	ØB Max (mm) (After Knurling)	L Max (mm)	Length "H" (in mm) with attachment		
				Nylon cord	Metallic chain	S.S.Rope
19	Diamond	33,25	30	160		

Technical comparison - Former & New design

Protective caps for USBFTV & RJ11FTV Receptacles

Former design

New design

Nylon cord

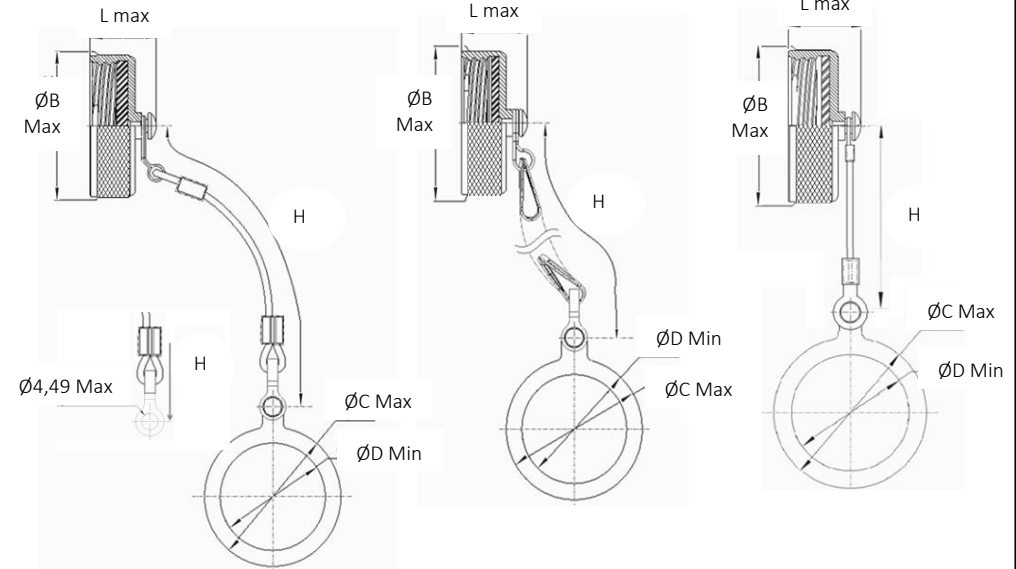
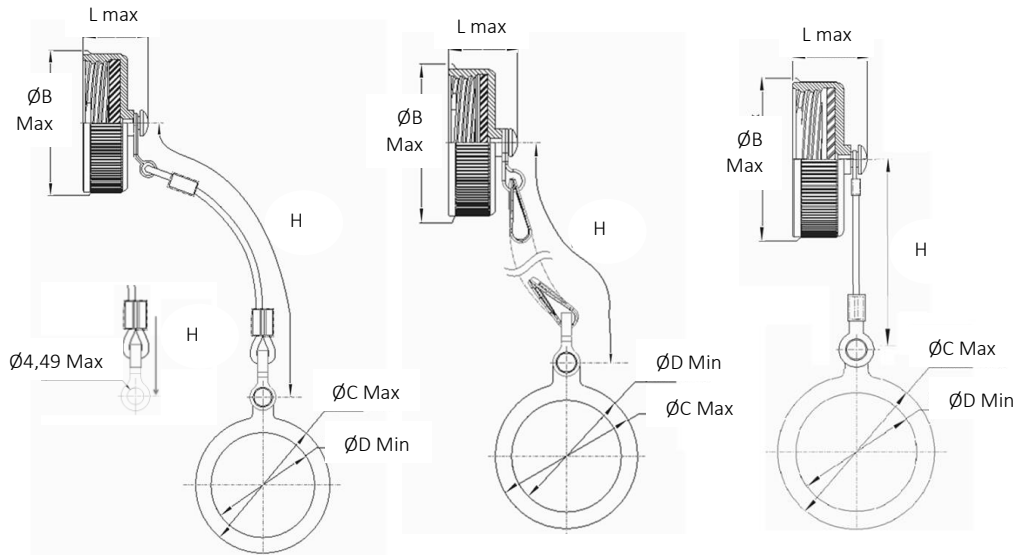
Metallic chain

Stainless Steel rope

Nylon cord

Metallic chain

Stainless Steel rope



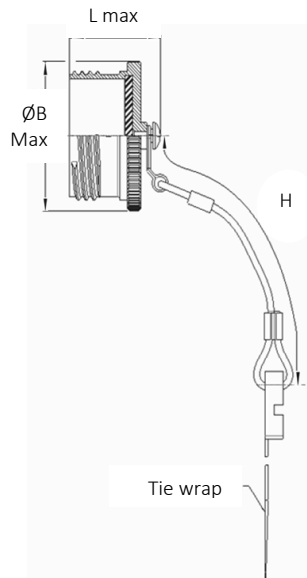
Size	Type of Knurling	ØB Max (mm) (After Knurling)	L Max (mm)	Length "H±5" (mm) with attachment			ØC Max (mm) (OD)	ØD Min (mm) (ID)
				Nylon cord	Metallic chain	S.S.Rope		
15	Straight	32	23	105	152	105	40,2	29

Size	Type of Knurling	ØB Max (mm) (After Knurling)	L Max (mm)	Length "H" (+13,-7) (mm) with attachment			ØC Max (mm) (OD)	ØD Min (mm) (ID)
				Nylon cord	Metallic chain	S.S.Rope		
15	Diamond	28,9	23	127			40	29,92

Technical comparison - Former & New design Protective caps for USBFTV & RJ11FTV Plugs

Former design

Nylon cord



Metallic chain

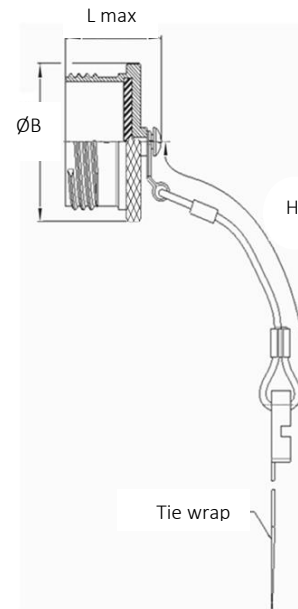
Doesn't
exist

Stainless Steel rope

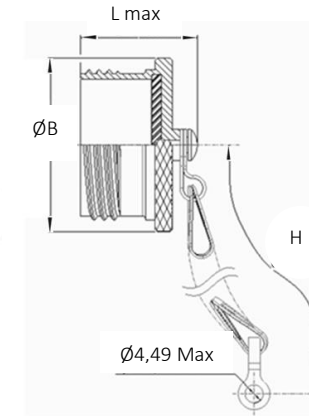
Doesn't
exist

New design

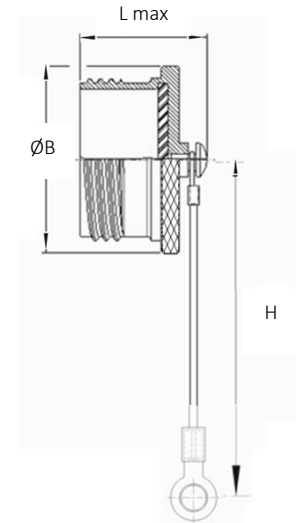
Nylon cord



Metallic chain



Stainless Steel rope



Size	Type of Knurling	ØB Max (mm) (After Knurling)	L Max (mm)	Length "H" (mm) with attachment		
				Nylon cord	Metallic chain	S.S.Rope
15	Straight	33	30	160		

Size	Type of Knurling	ØB (+0.5,0) (mm) (After Knurling)	L Max (mm)	Length "H" (in mm) with attachment		
				Nylon cord	Metallic chain	S.S.Rope
15	Diamond	27,4	30	160		

Références concernées et date / Affected part number and implementation date

Famille / Family	Références / Part Numbers	Date / Date
MIL-DTL-38999 series III, RJFTV, USBFTV & RJ11FTV	<p>MIL-DTL-38999 series III Caps (TV/CTV) :</p> <ul style="list-style-type: none">- BEC x TV y zz- BER x TV y zz- BF x TV y zz- JD38999/33 W zz R- JD38999/33 W zz N- JD38999/32 W zz R- JD38999/32 W zz N <p><i>x : Attachment type (Blank/N/R/RO)</i> <i>y : Plating (B/F/W/Z/ZN)</i> <i>zz : Shell size (odd numbers from 09 to 25)</i></p> <p>RJ Field Caps :</p> <ul style="list-style-type: none">- RJF TV C x y zz <p><i>x : Shell type (2/6/7)</i> <i>y : Attachment (Blank/M/MR)</i> <i>zz : Plating (N/G/BZ/ZC/ZN)</i></p> <p>USB Field Caps :</p> <ul style="list-style-type: none">- USBF TV C x y zz <p><i>x : Shell type (2/6/7)</i> <i>y : Wire type (Blank/M/MR)</i> <i>zz : Plating (G/N/BZ)</i></p> <p>RJ11FTV Caps :</p> <ul style="list-style-type: none">- RJ11FTV C x y zz <p><i>x : Shell type (2/6/7)</i> <i>y : Attachment (Blank/M/MR)</i> <i>zz : Plating (N/G/BZ/ZC/ZN)</i></p>	March 2017



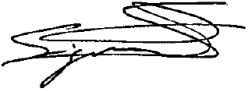
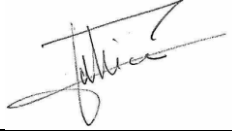
Action / Action required

Informer tous les clients. Les distributeurs doivent informer leurs propres clients.
Inform all customers. Distributors must inform their own customers.

Personne à contacter pour plus d'information / Person to contact for more information

Support technique / *Technical support*
technicalsupport@amphenol-socapex.fr

APPROBATIONS / Approvals

Engineering	B.Mane 	Marketing	N. Martemianova 
Quality	S. Siguret 	Industrial	C. Jullian 
S.A.S. au capital de 1 536 800 Euros – RCS Bonneville – SIREN 035 650 167 – APE 321 A – TVA : FR 59 035 650 167			