

<b>Avis de Modification Produit / Process</b> <i>Product / Process Change Notification</i>		<b>Référence / Reference</b>  <b>PCN 115742</b>	
		<b>Nb de pages / No. of pages</b> 08	<b>Date de Diffusion / Issue Date</b> 06/12/2016
<b>Familles Produit / Product Families</b>	<b>PT/451/VG95328 MIL-DTL-26482</b>	<b>Références Concernées / Concerned Part Numbers</b>	<b>Voir liste jointe / See attached list</b>
<b>Origine / Origin</b>	<b>Modification produit / Product modification</b>	<b>Diffusion / Distribution</b>	ALL CUSTOMERS

**Sujet / Subject**

Modification de design des embases à écrou type 07 livrées avec raccord de la famille PT/451.  
*Design modification of jam nut receptacle 07 type of PT/451 range delivered with backshell.*

**Modification / Nature of Change**

Afin de rationaliser la gamme PT/451/VG95328 et pouvoir utiliser le même raccord arrière pour les embases et les fiches, le corps des embases à écrou type 07 sera modifié avec un filetage extérieur au lieu d'un filetage intérieur. Avec ce nouveau design, tous les marquages PT/451/VG95328 resteront possibles.

Veillez trouver ci-dessous le comparatif technique de l'ancien et du nouveau design des produits concernés.

Les raccords arrières spécifiques à la PT07 / 45107 / VG95328-TYPE D/E seront supprimés.

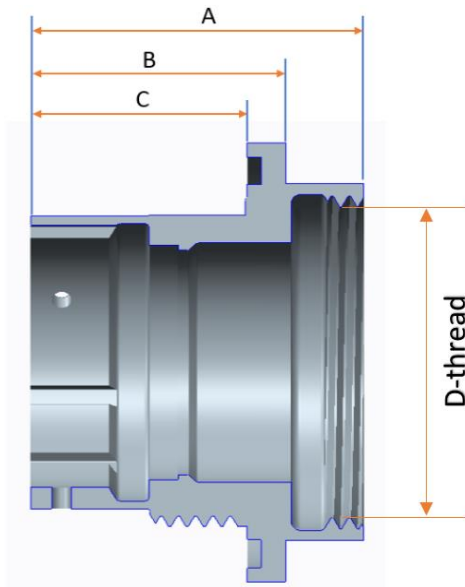
*In order to rationalize PT/451/VG95328 ranges and to be able to use the same backshell with all receptacles and plugs, the jam nut receptacle 07 shell body will be updated with an external thread instead of an internal thread. With the new design, all PT/451/VG95328 markings will be possible.*

*Please find below the technical comparison between former and new design of concerned products.*

*Specific backshells for PT07 / 45107 / VG95328-TYPE D/E will be deleted.*

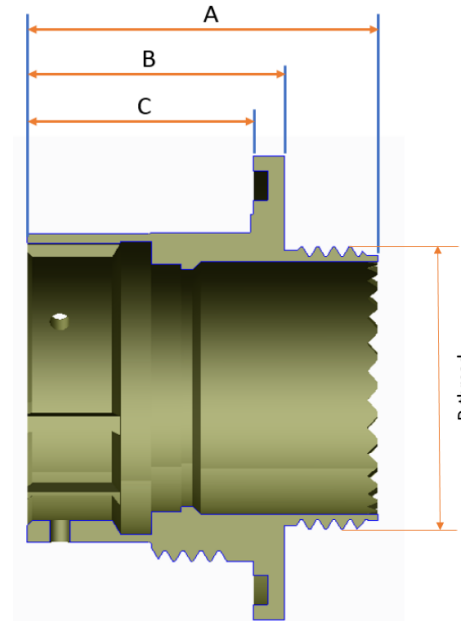
# Technical comparison - Former & New Jam-nut receptacle shell design

**Former design**  
**For all versions except PT07 P/SP, 45107 P/RP**



Size	A +/-0.13	B +/-0.13	C +/-0.13	D Thread Class 2B
8	27.23	20.85	17.68	.625-24 UNEF 2B
10	27.23	20.85	17.68	.750-20 UNEF 2B
12	27.23	20.85	17.68	.8750-20 UNEF 2B
14	27.23	20.85	17.68	1.000-20 UNEF 2B
16	27.23	20.85	17.68	1.125-18 UNEF 2B
18	27.23	20.85	17.68	1.250-18 UNEF 2B
20	32.39	26.42	22.45	1.375-18 UNEF 2B
22	32.39	26.42	22.45	1.500-18 UNEF 2B
24	33.73	27.25	23.29	1.625-18 UNEF 2B

**New design**  
**For all versions**

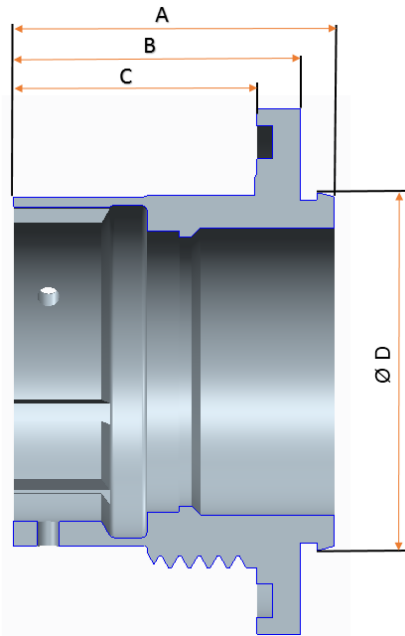


Size	A +/-0.13	B +0.15/-0	C +/-0.13	D Thread Class 2A
8	27.4	20.15	17.68	0.4375-28 UNEF 2A
10	27.4	20.15	17.68	0.5625-24 UNEF 2A
12	27.4	20.15	17.68	0.6875-24 UNEF 2A
14	27.4	20.15	17.68	0.8125-20 UNEF 2A
16	27.4	20.15	17.68	0.9375-20 UNEF 2A
18	27.4	20.15	17.68	1.0625-18 UNEF 2A
20	34	25.75	22.45	1.1875-18 UNEF 2A
22	34	25.75	22.45	1.3125-18 UNEF 2A
24	34.8	26.55	23.29	1.4375-18 UNEF 2A

All dimensions in millimeter (mm)

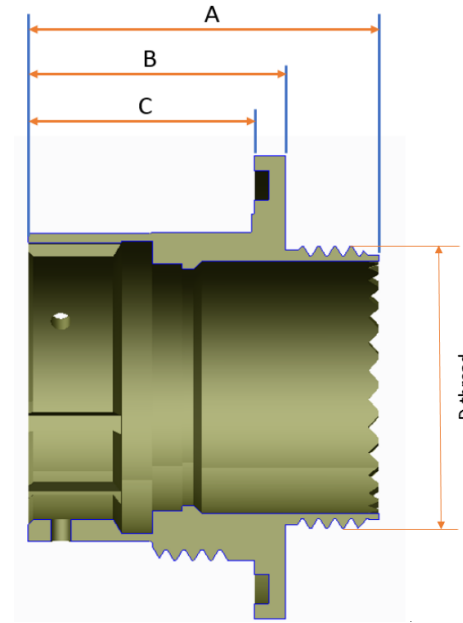
# Technical comparison - Former & New Jam-nut receptacle shell design

**Former design**  
For PT07 P/SP, 45107 P/RP



Size	A +/-0.13	B +/-0.13	C +/-0.13	ØD +0.25 / -0
8	23.32	20.85	17.68	13.11
10	23.32	20.85	17.68	16.31
12	23.32	20.85	17.68	19.46
14	23.32	20.85	17.68	22.66
16	23.32	20.85	17.68	25.86
18	23.32	20.85	17.68	29.01
20	26.42	26.42	22.45	32.21
22	26.42	26.42	22.45	35.36
24	29.72	27.25	23.29	38.56

**New design**  
For all versions

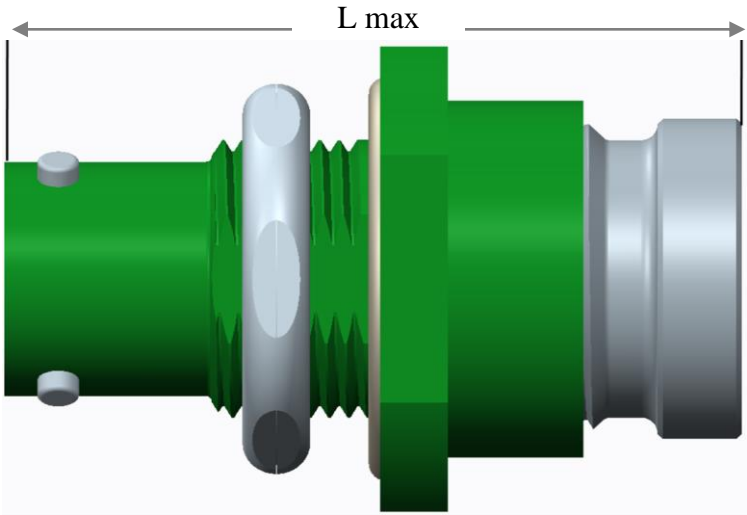


Size	A +/-0.13	B +0.15/-0	C +/-0.13	D Thread Class 2A
8	27.4	20.15	17.68	0.4375-28 UNEF 2A
10	27.4	20.15	17.68	0.5625-24 UNEF 2A
12	27.4	20.15	17.68	0.6875-24 UNEF 2A
14	27.4	20.15	17.68	0.8125-20 UNEF 2A
16	27.4	20.15	17.68	0.9375-20 UNEF 2A
18	27.4	20.15	17.68	1.0625-18 UNEF 2A
20	34	25.75	22.45	1.1875-18 UNEF 2A
22	34	25.75	22.45	1.3125-18 UNEF 2A
24	34.8	26.55	23.29	1.4375-18 UNEF 2A

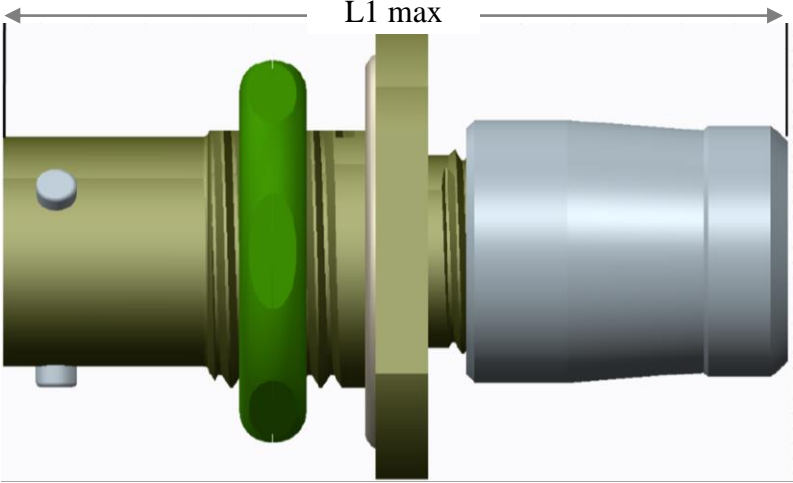
All dimensions in millimeter (mm)

# Technical comparison - Former & New PT07 E/SE, 45107 E/R, VG95328 D design

Former design (Solder/Crimp version)



New design (Solder/Crimp version)

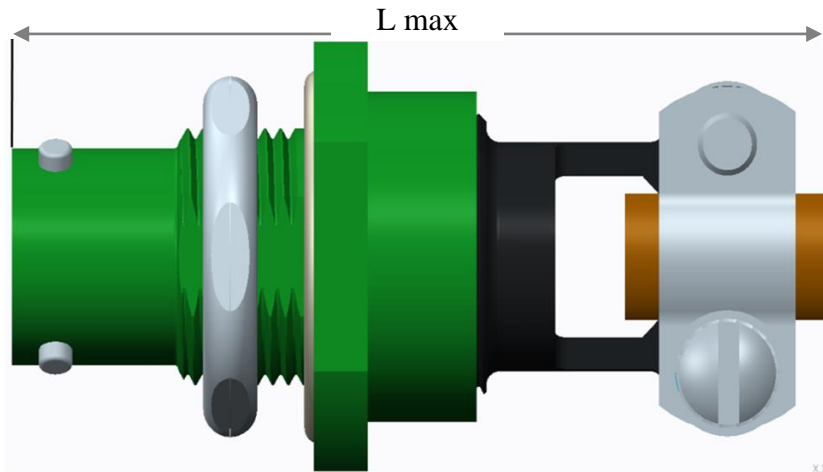


Shell Size	L max	L1 max
8	35,0	39,3
10	35,0	39,3
12	35,0	39,3
14	35,0	39,3
16	35,0	39,3
18	35,0	39,3
20	41,2	43,4
22	41,2	43,4
24	42,8	43,4

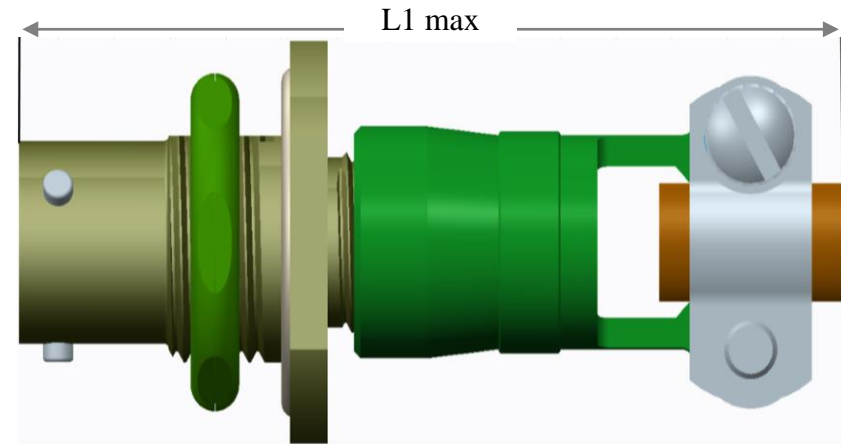
All dimensions in millimeter (mm)

# Technical comparison - Former & New PT07 E / SE (SR), 45107 EC/RC, VG95328 E design

Former design (Solder/Crimp version)



New design (Solder/Crimp version)

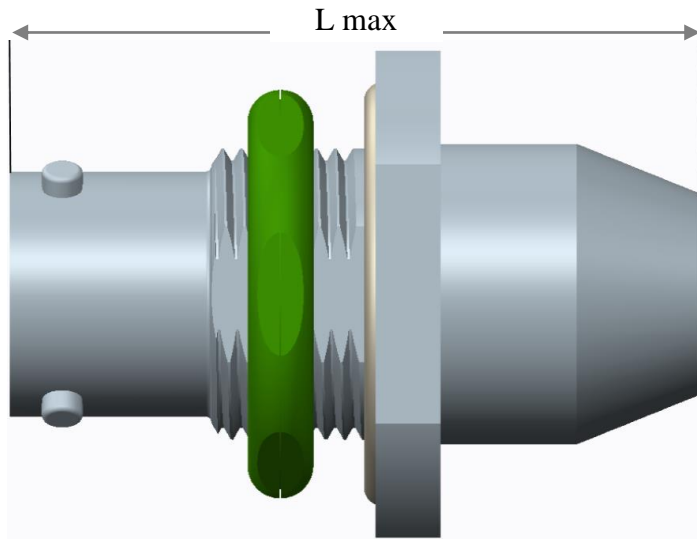


Shell Size	L max	L1 max
8	49,5	61,5
10	49,5	61,5
12	50,0	61,5
14	50,0	61,5
16	52,6	64,4
18	52,6	64,4
20	56,5	71,1
22	56,5	71,1
24	58,2	73,6

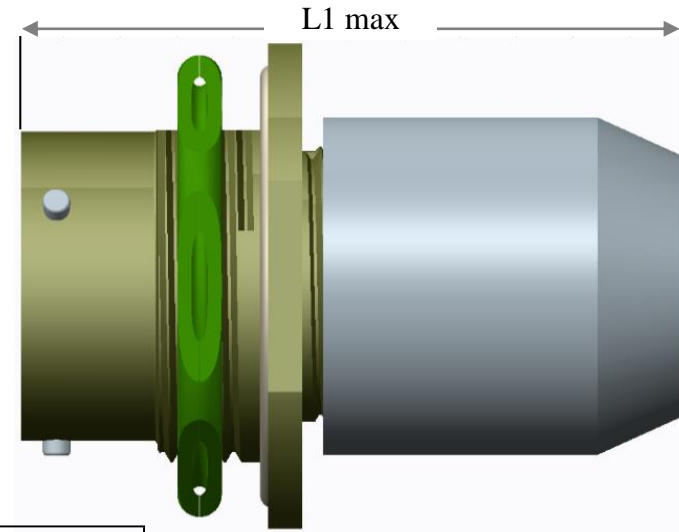
All dimensions in millimeter (mm)

## Technical comparison - Former & New PT07 P/SP, 45107 P/RP design

Former design (Solder/Crimp version)



New design (Solder/Crimp version)

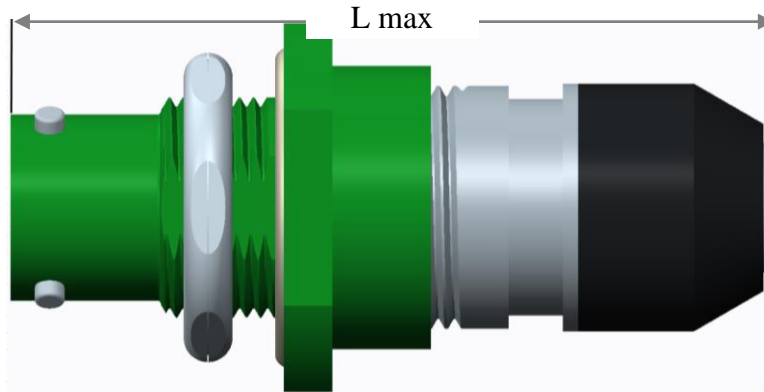


Shell Size	Solder version		Crimp version	
	L max	L1 max	L max	L1 max
8	34,5	45,0	39,9	51,0
10	34,5	45,0	39,9	51,0
12	34,5	45,0	39,9	51,0
14	34,5	45,0	39,9	51,0
16	34,5	45,0	39,9	51,0
18	34,5	45,0	39,9	51,0
20	42,0	52,0	47,1	56,0
22	42,0	52,0	47,1	56,0
24	42,7	53,0	47,9	57,0

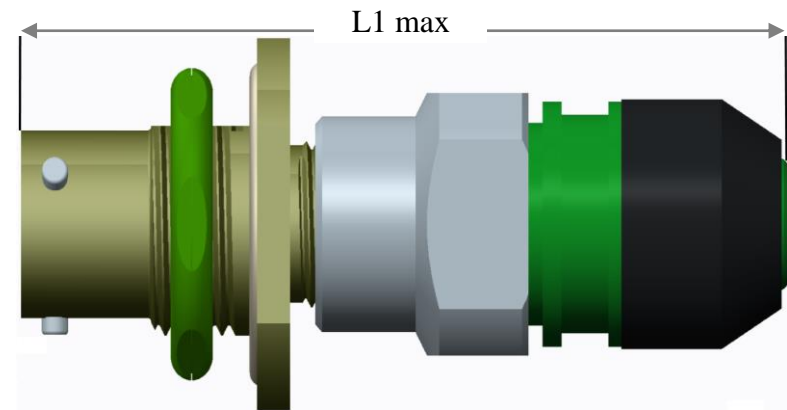
All dimensions in millimeter (mm)

## Technical comparison - Former & New PT07 SE (SQ), 45107 RG design

Former design (Crimp version only)



New design (Crimp version only)



Shell Size	L max	L1 max
8	49,6	61,5
10	49,6	61,5
12	50,6	61,5
14	50,6	61,5
16	50,6	61,5
18	50,6	61,5
20	55,8	61,5
22	55,8	61,5
24	57,5	61,5

All dimensions in millimeter (mm)

**Références concernées et date / Affected part number and implementation date**

<b>Famille / Family</b>	<b>Références / Part Numbers</b>	<b>Date / Date</b>
<b>PT/451/VG95328 MIL-DTL-26482</b>	<ul style="list-style-type: none"><li>- PT07E / 45107E</li><li>- PT07SE / 45107R / VG95328 D</li><li>- PT07E (SR) / 45107EC /</li><li>- PT07SE (SR) / 45107RC / VG95328 E</li><li>- PT07P / 45107P</li><li>- PT07SP / 45107RP</li><li>- PT07SE (SQ) / 45107RG</li></ul>	06/12/2016



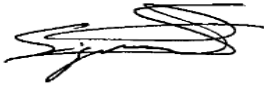
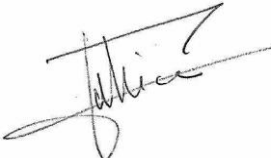
**Action / Action required**

Informer tous les clients. Les distributeurs doivent informer leurs propres clients.  
*Inform all customers. Distributors must inform their own customers.*

**Personne à contacter pour plus d'information / Person to contact for more information**

Support technique / *Technical support*  
[technicalsupport@amphenol-socapex.fr](mailto:technicalsupport@amphenol-socapex.fr)

**APPROBATIONS / Approvals**

<b>Engineering</b>	S.Holennavar 	<b>Marketing</b>	N. Martemianova 
<b>Quality</b>	S.Siguret 30/11/2016 	<b>Industrial</b>	C.Jullian 

S.A.S. au capital de 1 536 800 Euros – RCS Bonneville – SIREN 035 650 167 – APE 321 A – TVA : FR 59 035 650 167