

Product Change Notification		Reference	
		PCN # 115389	
		Nb of pages 1	Issue Date November 18th 2010
Product Range	RJF 544 series	Part numbers	All RJF544 receptacle
Origin	Amphenol Socapex France	Distribution	Customers & Distributors(*)

(*) Distributors must forward this information to their customers.

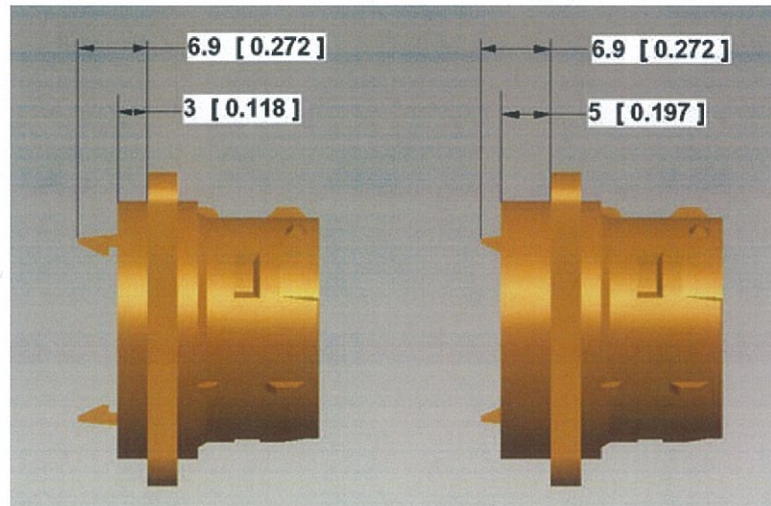
Subject

RJF 544 receptacle rear dimension change.

Nature of Change

Some of our customers requested that the rear of the shell be longer in order to have more space for compound.

This is implemented from today November 18th 2010 through a Minor Engineering Change procedure. You will find in the below information, the new dimension of the rear part of the shell (Receptacle shell shown without PCB inside).



This change doesn't affect ANY present technical feature and allow us to offer an extension series to our customer with transversally sealed RJF 544 receptacle version.

Implementation Date

All product which will be ordered from November 18th 2010 may have this change.

For further information, please contact :

Jean Marie PICCOT (Engineering Technical Support)

Email : jean-marie.piccot@amphenol-socapex.com

Approvals

Engineering	Yves GUILLOT	Marketing	Stéphane MALARD
Quality	Lionel LAURENCE	Manufacturing	Christel JULLIAN