

# LC FIELD

Fiber optic solution - Transform your LC patchcord into an Environmental Connector



The LC Field offers an easy system to upgrade from a standard to an environmental LC.

- Sealed against fluids and dust (IP68)
- Shock, vibration proof
- No cabling operation in field and no tools required for installation (except 1,6mm and 2mm zipcord cable)

With the patented RJStop® system you can use a standard LC patchcord in a metallic plug which will protect it from shocks, dust and fluids.

**No hazardous on-field cabling!**

### Applications

- Railways
- Base Station
- Military communication
- Navy

### Mechanical characteristics

- Number of Channels: 2
- Typical Insertion Loss: 0,5dB in MM and SM
- Durability 500 mating/unmating cycles (changes for <0,2 dB)

### Part number code

<b>Serie</b>	LCFTV	6M	D	G	N
Optical connector type					
<b>Shell Type</b>					
<b>Plug (compatible for all LC PC and APC Duplex)</b>					
6M: Plug with metal backshell and metal PG clamp					
<b>Receptacle without backshell</b>					
<b>Compatible for all LC PC Duplex (adapter blue color)</b>					
2: Square flange receptacle					
7: Jam nut receptacle					
<b>Compatible for all LC APC Duplex (adapter green color)</b>					
2A: Square flange receptacle					
7A: Jam nut receptacle					
<b>Cable Type</b>					
Only for plug					
D: Flat duplex cable 1,6 mm					
E: Duplex zipcord 1,6 mm					
F: Flat duplex cable 2 mm					
G: Duplex zipcord 2 mm					
H: Flat duplex cable 2,8 mm					
I: Duplex zipcord 2,8 mm					
T: Flat duplex cable + Duplex zipcord for 1,6 mm - 2 mm - 2,8 mm					
Only for receptacle (no backshell available for receptacle)					
0: Receptacle without backshell					
<b>Shell Finish</b>					
N: Nickel plated					ZN: Black Zinc Nickel - ROHS Compliant
G: Olive drab cadmium plated					
B: Bronze					
<b>Polarization</b>					
N: Normal					or A / B / C / D / E

<b>Cap Series</b>	B	EC	N	TV	W	19
<b>Protective cap type</b>						
EC: For square flange receptacle						
ER: For jam nut receptacle						
F: For plug						
<b>Wire type</b>						
N: Nylon cord						
Blank: Metallic chain						
<b>TV: Series</b>						
<b>Shell finish</b>						
B: Bronze						
F: Electroless nickel plated, aluminium version						
W: Olive drab cadmium plated, aluminium version						
ZN: Black Zinc Nickel - ROHS Compliant						
Corresponding connector shell size: 19						

### Requested information to order LC Field Patchcord

Type of connector: Male /Female  
 Type of fiber: 50/125, 62,5/125, 9/125  
 Patchcord length: ex 10.5m  
 Drawing: description of the product  
*Contact us for other configuration.*

### Tools informations

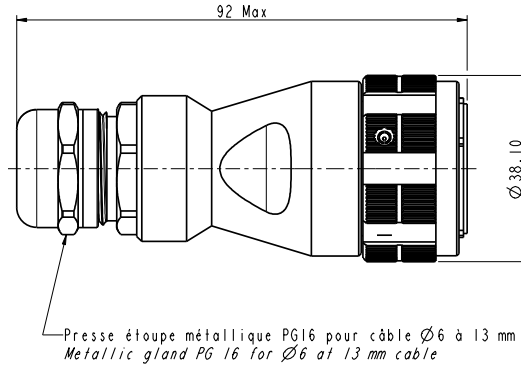
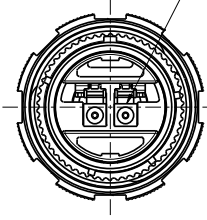
**Mounting Tools:**  
 LCFTV MO TOOL: LC FIELD Mounting tools

**Dismounting Tools:**  
 LCFTV DM TOOL: LC FIELD Dismounting tools  
*(To dismount the LC you need to use both dismounting and mounting tools)*

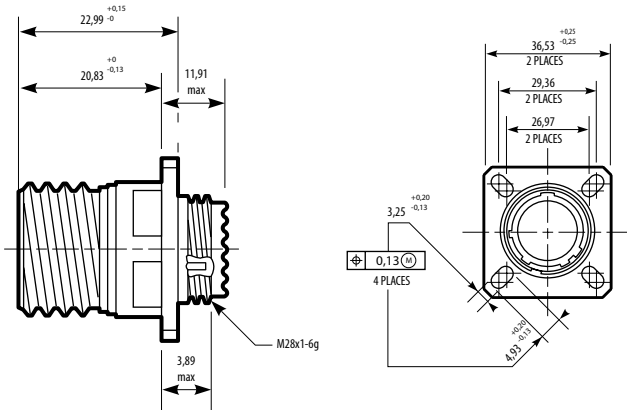
## Line drawings (Dimensions in mm)

### ■ Plug (MIL DTL 38 999 series III Size 19)

Connecteur LC Duplex (Non fourni)  
LC Duplex connector (Not supplied)



### ■ Square Flange Receptacle (MIL DTL 38 999 series III Size 19)

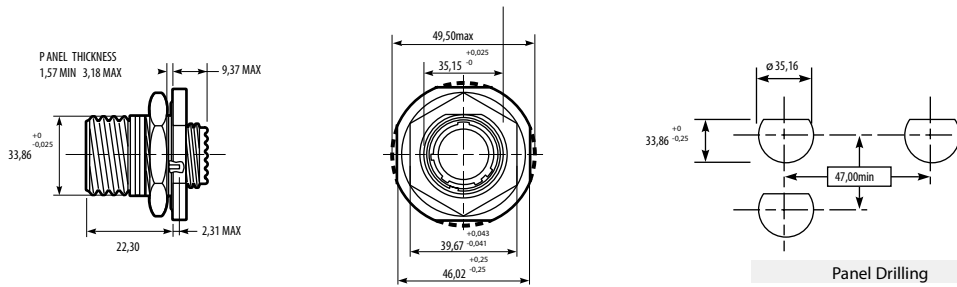


Square flange receptacle rear panel mounting

Square flange receptacle front panel mounting

Panel Drilling

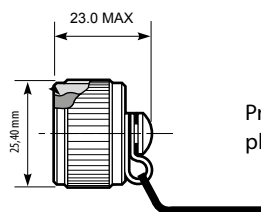
### ■ Jam Nut Receptacle (MIL DTL 38 999 series III Size 19)



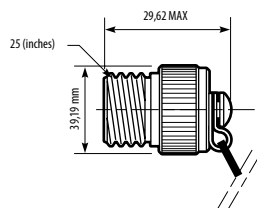
Jam nut receptacle rear panel mounting

Panel Drilling

## Protective caps



Protective cap for plug (nylon cord)



Protective cap for receptacles (nylon cord)