



# LJT 21-48

4x60 Amps circular power connector



- **Lightweight space saving design**
- **Corrosion resistance:**  
olive drab cadmium-plate aluminium or electroless nickel
- **100% scoop-proof for complete contact protection**
- **Keying:**  
achieved by different key / keyway locations
- **Quick positive coupling:**  
3 point bayonet locking system
- **Durability:**  
500 cycles
- **Insulation resistance at ambient under 500 Vdc > 5000 Mohms**
- **4 size 8 contacts**
- **Range temperature:**  
- 65°C to + 175°C
- **Contact rating:**  
Current capability 60 A
- **Service rating M:**
  - Operating voltage at sea level: 400 Vrms
  - Test voltage unmated
    - at sea level : 1300 Vrms
    - at 15000 m / 50000 ft : 550 Vrms
    - at 21000 m / 70000 ft : 350 Vrms
    - at 34000 m / 110000 ft : 200 Vrms
  - Test voltage mated, please consult us.

Hard piggy back grommet for size 8 cavity and power cable:  
ref.: 900471.



DESCRIPTION

The Amphenol Socapex power connector LJT 21-48 provides 4 size 8 power contacts in a LJT 21 shell in accordance with the MIL-DTL-38999 Series I standard.

This arrangement was originally developed for military applications.

Due to the rigidity of the cables used, the front male insulator has been reinforced to maintain a perfect alignment of contacts during mating. A header is placed in the backshell to guide each wire and to guarantee tightness even when cables are bent. Available in Mil-DTL-38999 series III standard.

Available in TV-CTV (Mil-DTL-38999 Series III) version.

New hard piggy back grommet for easy installation.

*High performance for power supply*

APPLICATIONS

- Power supplies
- Shelters
- Firing posts

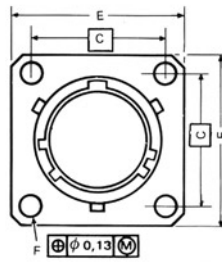
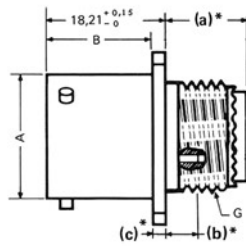
LJT 21-48

Contact		Crimp barrel		Cable sizes		
Size	Contact diameter mm	Diameter mm	Depth mm	Gauge AWG	Section mm	Outside diameter mm
8	3.6	4.6	10	8	8.98 to 10	4.5/5.8



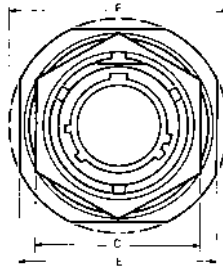
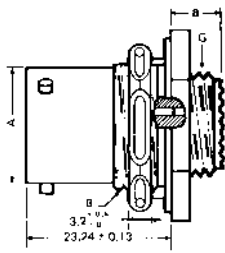
## Dimensional characteristics

### • Square flange receptacle



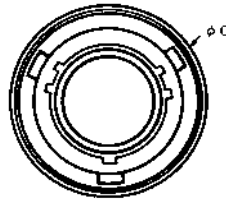
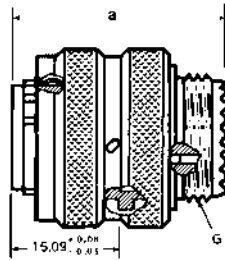
A = 33.83 mm  
 B = 15.29 mm  
 C = 31.75 mm  
 E = 39.67 mm  
 F = 3.25 mm  
 G = 1.1875 - 18 2 A UNEF

### • Jam nut receptacle



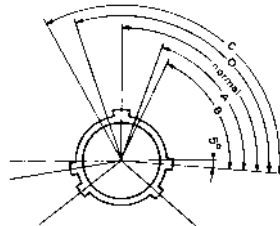
A = 33.83 mm  
 B = 1.5000 - 18 UNEF inches  
 C = 43.00 mm  
 E = 49.23 mm  
 F = 52.65 mm  
 G = 1.1875 - 18 2 A UNEF  
 a = 8.33 mm Max  
 without protrusion of the piggy back grommet.

### • Plug



G = 1.1875 - 18 2 A UNEF  
 C = 41.28 mm  
 a = 31 mm Max  
 without protrusion of the piggy back grommet.

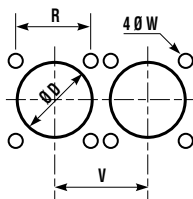
### • Position of major key way



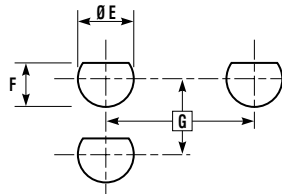
A = 80° B = 69° C = 121° D = 110°  
 Receptacle: front face shown

### • Panel drilling for square flange and jam nut receptacle

Square flange receptacle  
front panel mounting



Jam nut receptacle  
back panel mounting

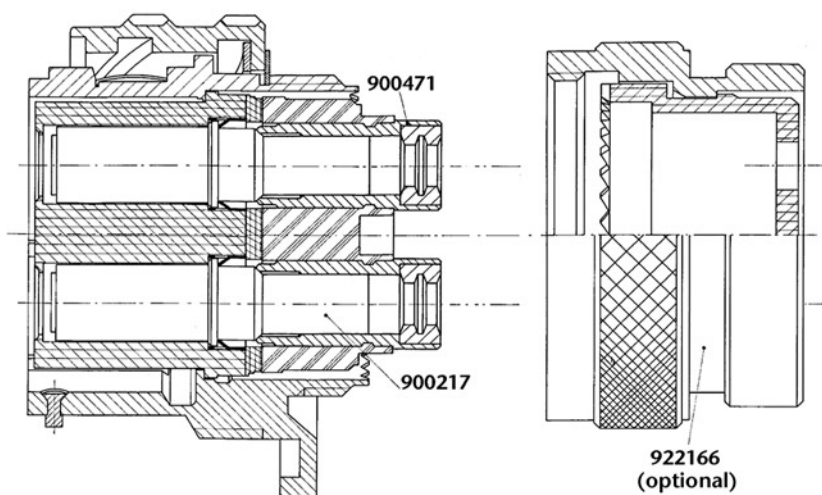


Shell Size	R (mm)	V <sup>+0</sup> <sub>-0.25</sub> (mm)	W <sup>+0</sup> <sub>-0.25</sub> (mm)	G Mini (mm)	E Mini (mm)	F <sup>+0</sup> <sub>-0.25</sub> (mm)	D <sup>+0</sup> <sub>-0.25</sub> Mini (mm)
21	31.75	42.5	3.25	50.60	38.28	37.06	32.16

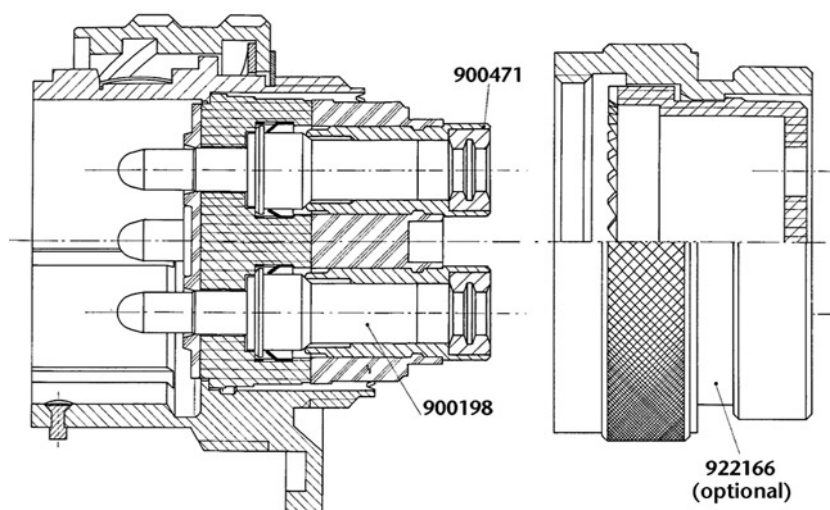
Panel thickness for jam nut receptacle : 1.6 mm mini  
 3.2 mm maxi

## Insert arrangement 21-48 particularities

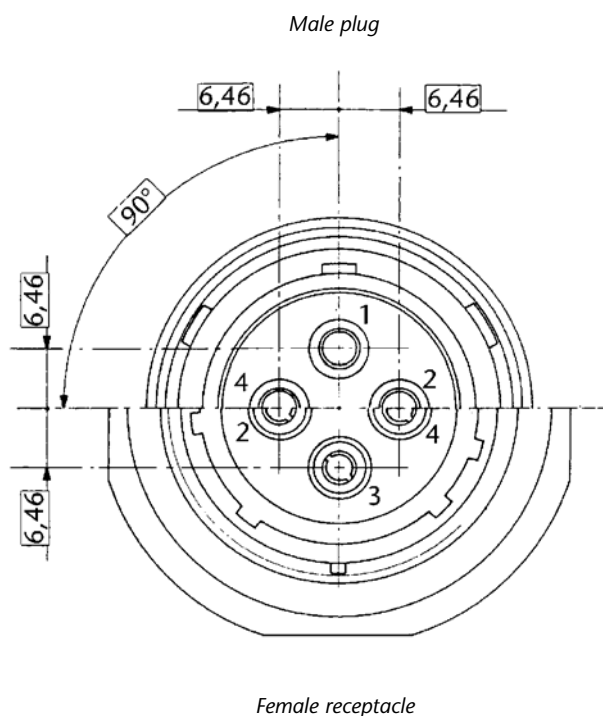
- Side half-view of female plug/receptacle



- Side half-view of male plug/receptacle



- Insert arrangement: front face shown





## Connectors

### Proprietary P/N

Series	LJT	00	RT	21	48	P	A	014
Shell type: 00: square flange receptacle 01: in-line receptacle 07: jam nut receptacle 06: plug								
Connector class: RT: for environmental applications (supplied without rear accessories). Design provides serrations on rear threads of shells.								
21: shell size								
48: insert arrangement (4 size 8 contacts)								
Contact type: P: pin S: socket								
Polarization, rotation of major keyway: None = normal A, B, C, D.								
Shell finish : 014: olive drab cadmium 023: electroless nickel								

(Connector supplied with 4 contacts and 4 piggy back grommets 900471)  
For additional information, please see our LJT catalog.

### Contacts

**Male contact:**

**900198**

**Female contact:**

**900217**

**Reducing sleeve for AWG10:**

**900154**

**Piggy Back grommet:**

**900471**

Numerous piggy back grommets are available depending to cable diameters. Please consult us.

### Backshells

This connector is compatible with all backshells available for LJT connectors (MIL-DTL-38999 Series I / HE 308):  
LJT NSA = HE308-13 / LJT NSB / LJT NSD = HE308-14 / LJT SAD / LJT SAC  
HE308-35 band backshell (BAND-IT System).

### Tooling

**Crimping plier:**

**809872**

**Controlling gauge:**

**809877**

**Positioner:**

**809873**

**Metallic removal tool:**

**809845**

**Do not hesitate to contact us for further information**

# Amphenol

**Amphenol Socapex**

**Mil/Aero & Industrial Business Unit**

948, Promenade de l'Arve - BP 29

F - 74311 Thyez Cedex

Tel.: +33 (0) 4 50 89 28 00 - Fax: +33 (0) 4 50 96 19 41

<http://www.amphenol.com>

**Sales office in Paris**

Tel.: +33 (0) 1 49 05 30 00 - Fax: +33 (0) 1 49 05 30 43