



RJFIELD™ & USBFIELD™ KIT EMI 360° Shielded



Description

The RJFIELD™ and USBFIELD™ kits provide all the components required to create a complete 360° EMI-shielded connection. Designed to comply with TEMPEST, COMSEC, and SDIP-27 standards, they ensure high-level protection of sensitive data against cyber threats.

Delivered without cable, the kits allow you to assemble your own wiring using the specifications provided for conductors and shielding. For best performance, we recommend our reinforced, halogen-free Ethernet and USB cables, specially developed for demanding and harsh environments.

If you prefer to use your own cable, our team can assist in verifying compatibility with the selected kit.

For turnkey solutions, we can also provide a fully assembled 360° EMI-shielded system with a defined cable length. Please contact us for customized configurations.

Main Features

Main characteristics:

- Tri start Thread coupling mechanism (MIL-DTL-38999 series III type) with anti-decoupling device :
 - RJFTV shell size 19
 - USBFTV shell size 15
- Bayonet coupling mechanism (MIL-DTL-26482) :
 - RJF shell size 18
- Shock, vibration, and traction resistant
- Mechanical coding/ polarization
- Improved EMI protection
- Robust metallic shells
- Cordset retention in the plug: 100 N in the axis
- Mating cycles : 500 min
- Design for TEMPEST, COMSEC, SDIP-27 applications

Environmental protection:

- Sealing: IP68
- Salt spray:
 - 48 h with nickel plating over aluminium shell ✓
 - 500 h black zinc nickel plating over aluminium shell ✓
 - 500 h with olive drab cadmium plating over aluminium shell ✓
 - 500 h with marine bronze shell ✓
 - 500 h with Tin Zinc plating over aluminium shell ✓
- Vibrations: 10-500 Hz, 10g, 3 axes: no discontinuity > 10 nano s. according to MIL-STD-810H ✓
- Compounded versions tested per NAS 1599 (5-3000 Hz, 20gw, 12h)
- Shocks: IK06 > weight of 250 g drop from 40 cm (15.75 in) onto connectors (mated pair) ✓
- Humidity: 21 days, 43°C, 98% humidity ✓
- Temperature range: -40°C/ +85°C ✓
- Panel thickness: 1.57 mm min and 3.18 mm max for jam nut receptacle ✓

✓ : RoHS compliant

Markets & Applications



C6ISR, Battlefield Communication



Ground Vehicles



Naval



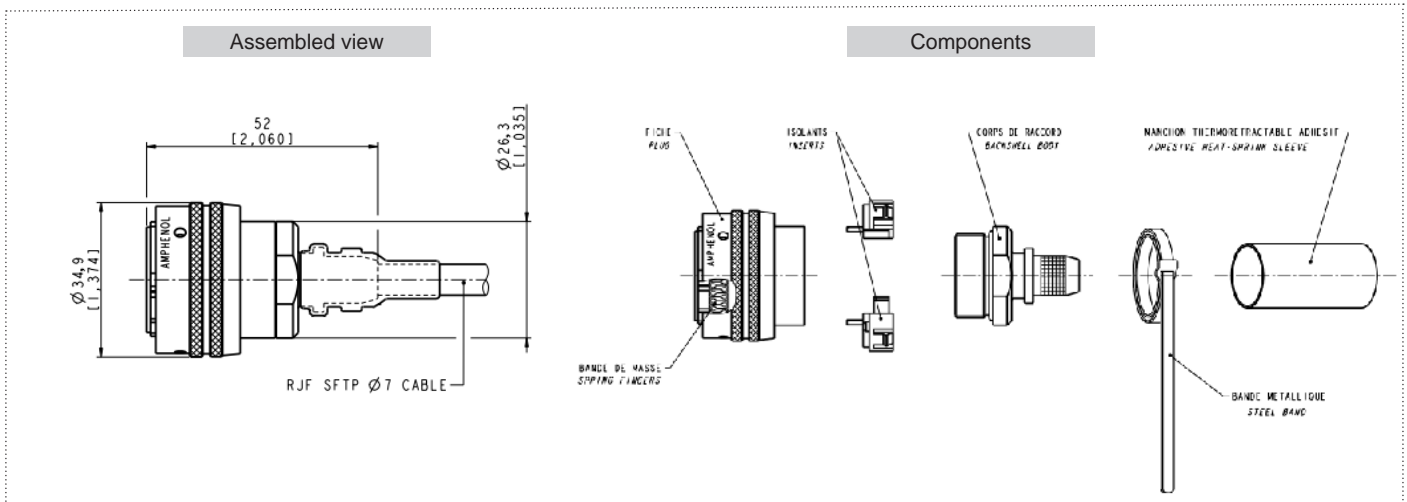
Applications :

▶ Hardware cybersecurity on TEMPEST system

RJFIELD™ 360° EMI KIT

Overall dimension

Plug RJF bayonet coupling - Shell type 6 - Straight 360° EMI backshell

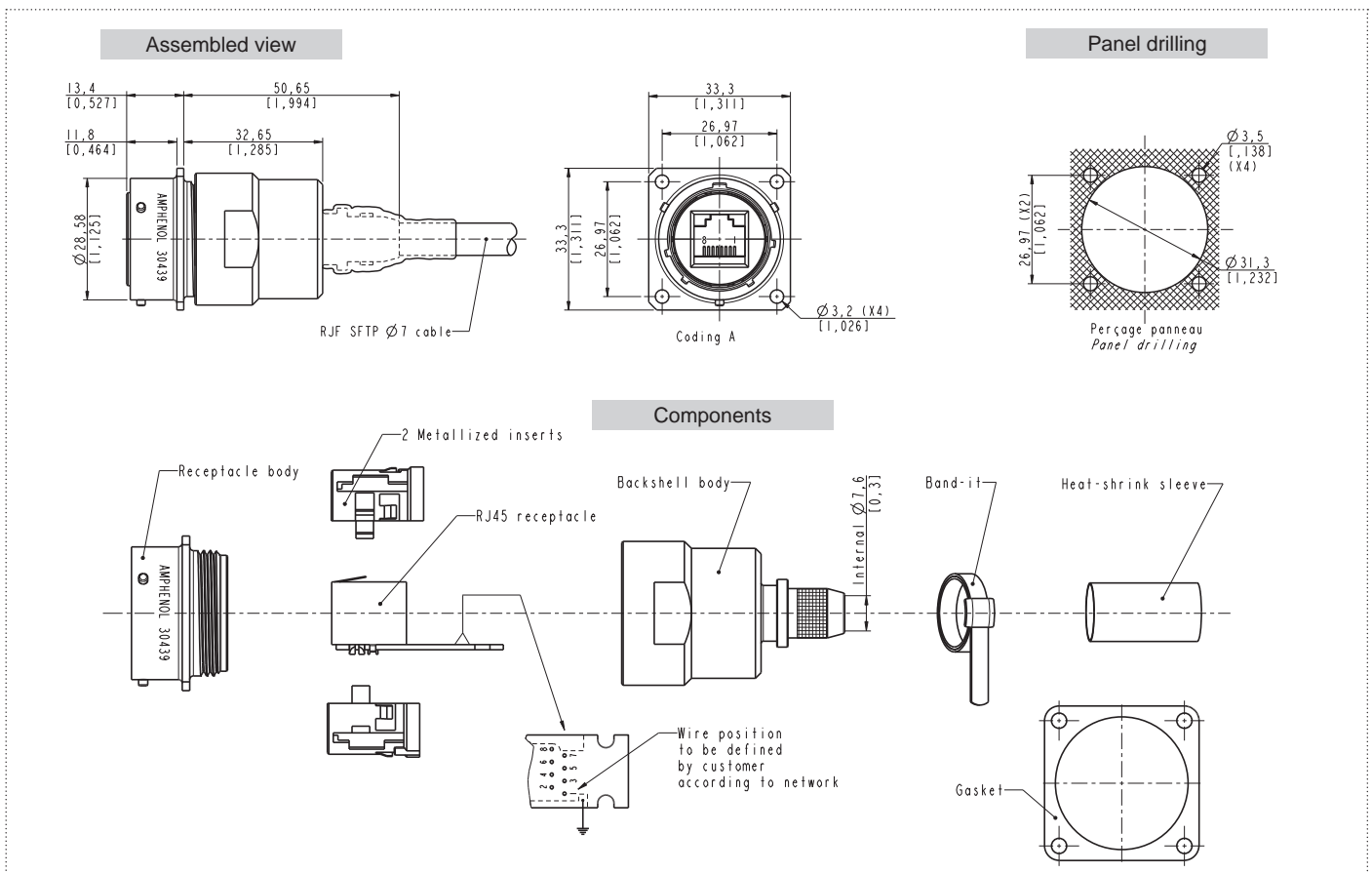


Part number	Plating
KIT30394	Olive drab cadmium
KIT30394NI	Nickel ✓
KIT30394ZN	Black zinc nickel ✓

✓ : RoHS compliant

Overall dimension

Receptacle RJF bayonet coupling - Square flange receptacle - 4 mounting holes - Shell type 2 - Straight 360° EMI backshell

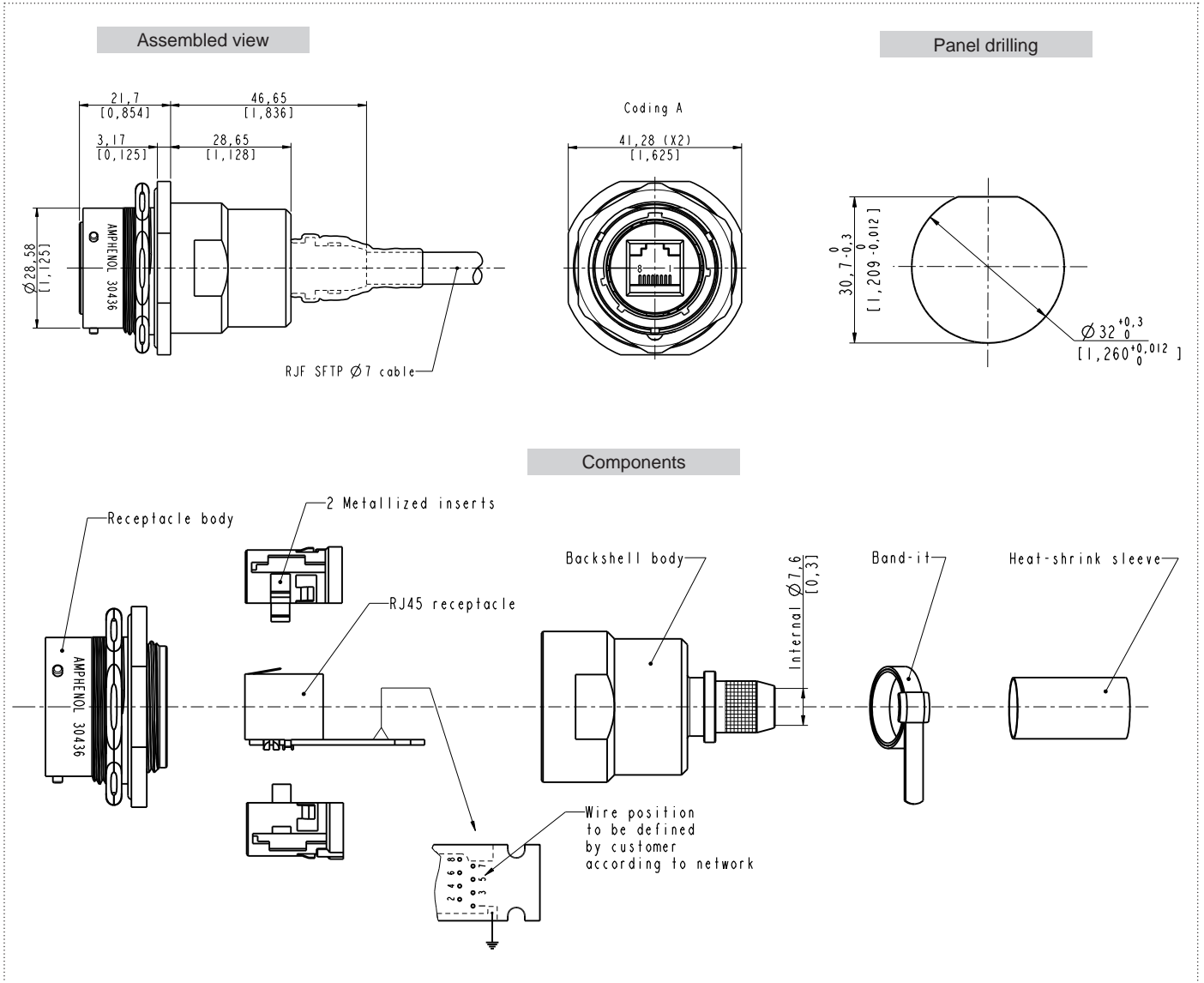


Part number	Plating
KIT30439	Olive drab cadmium
KIT30439NI	Nickel ✓
KIT30439ZN	Black zinc nickel ✓

✓ : RoHS compliant

Overall dimension

RJF bayonet coupling - Jam nut receptacle - Hexagonal nut mounting - Shell type 7 - Straight 360° EMI backshell

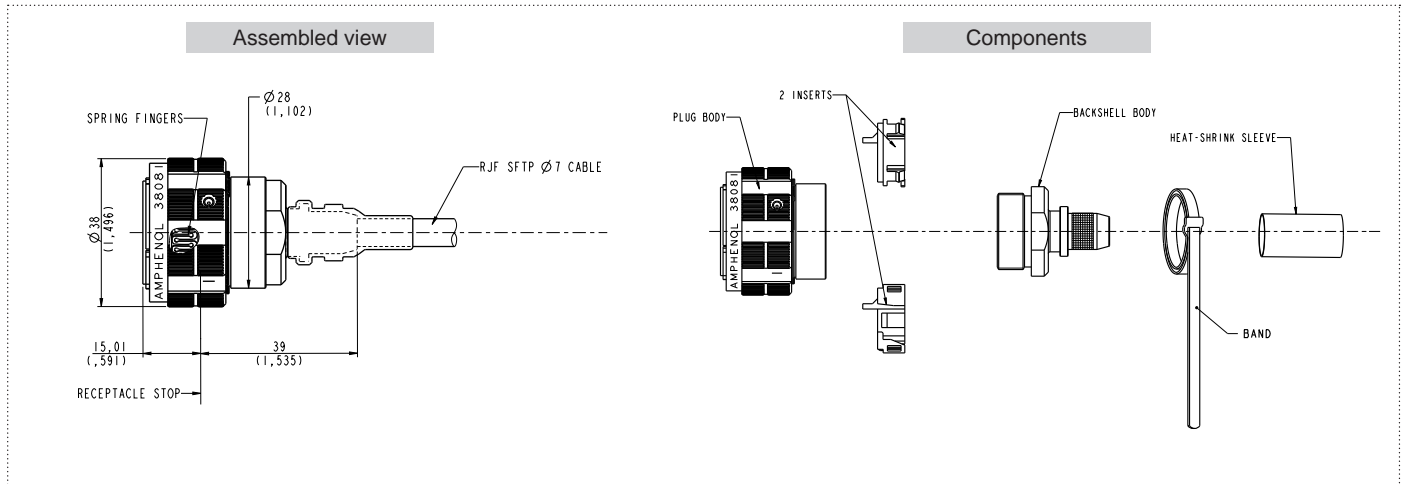


Part number	Plating
KIT30436	Olive drab cadmium
KIT30436N	Nickel ✓
KIT30436ZN	Black zinc nickel ✓

✓ : RoHS compliant

Overall dimension

Plug RJFTV threaded coupling- Shell type 6 - Straight 360° EMI backshell

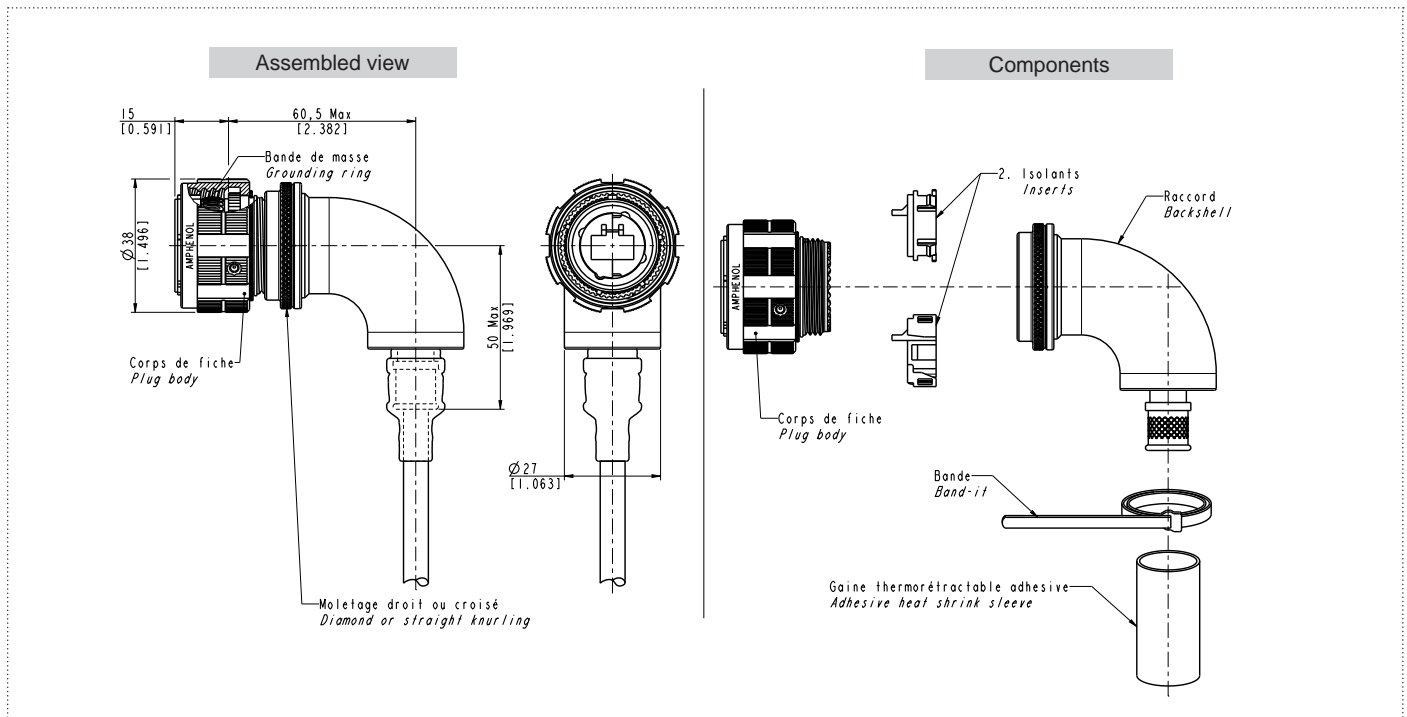


Part number	Plating
KIT38081	Olive drab cadmium
KIT38081NI	Nickel ✓
KIT38081ZN	Black zinc nickel ✓
KIT38081BZ	Marine Bronze ✓
KIT38081ZC	Green zinc cobalt ✓
KIT38081S	Stainless Steel ✓

✓ : RoHS compliant

Overall dimension

Plug RJFTV threaded coupling- Shell type 6 - Right angle 360° EMI backshell

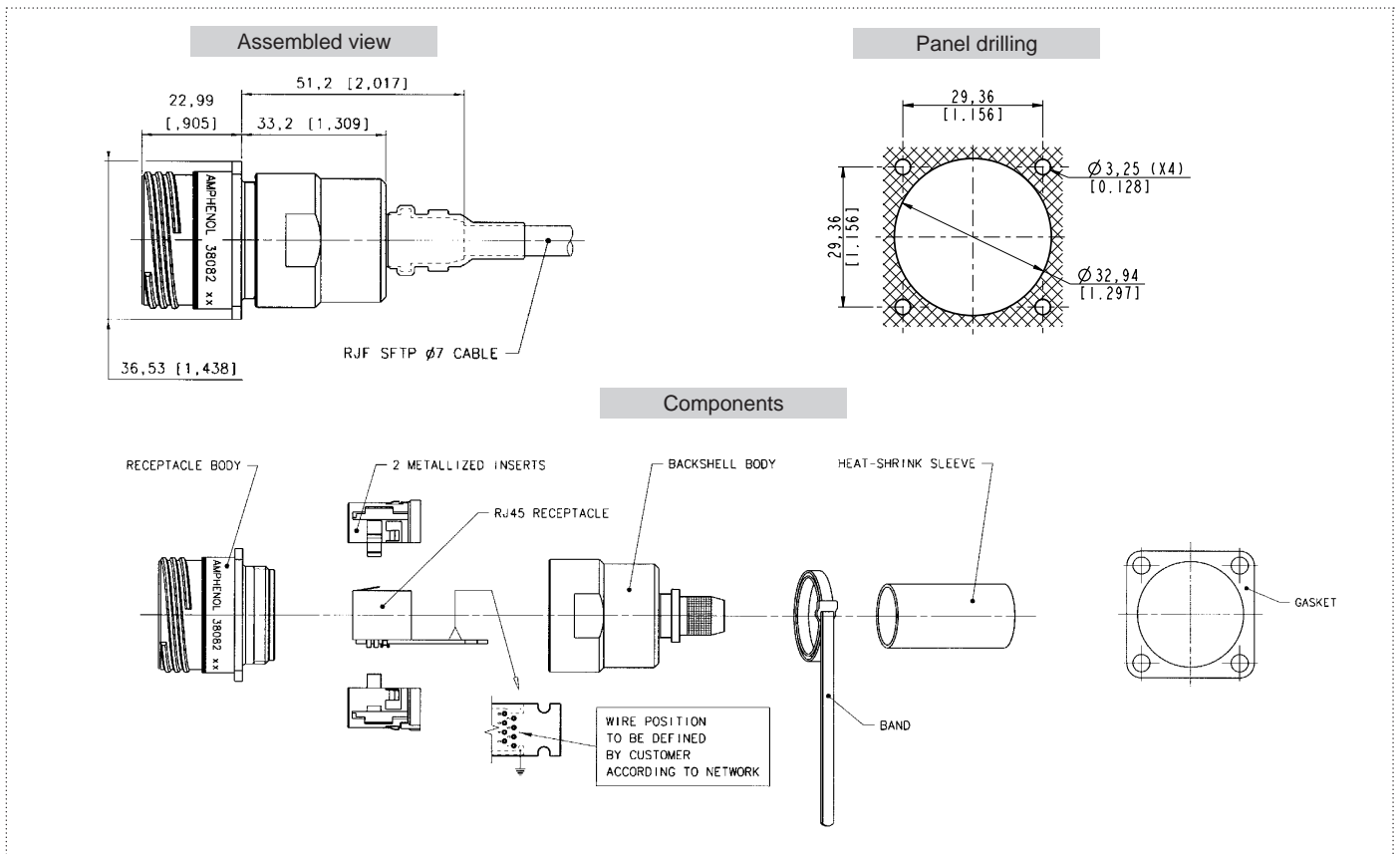


Part number	Plating
KIT40792	Olive drab cadmium
KIT40792NI	Nickel ✓
KIT40792ZN	Black Zinc nickel ✓

✓ : RoHS compliant

Overall dimension

Receptacle RJFTV threaded coupling - Square flange receptacle - 4 mounting holes - Shell type 2 - Straight 360° EMI backshell

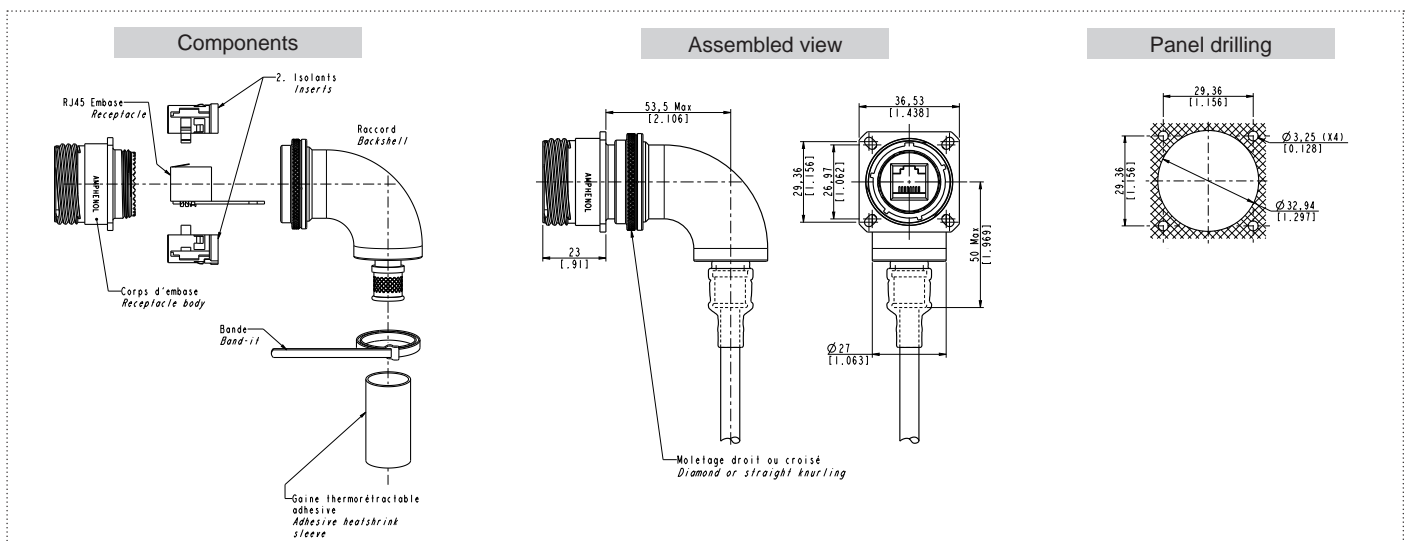


Part number	Plating
KIT38082	Olive drab cadmium
KIT38082NI	Nickel ✓
KIT38082ZN	Black Zinc Nickel ✓
KIT38082BZ	Marine Bronze ✓

✓ : RoHS compliant

Overall dimension

RJFTV threaded coupling - Square flange receptacle - 4 mounting holes - Shell type 2 - Right angle 360° EMI backshell

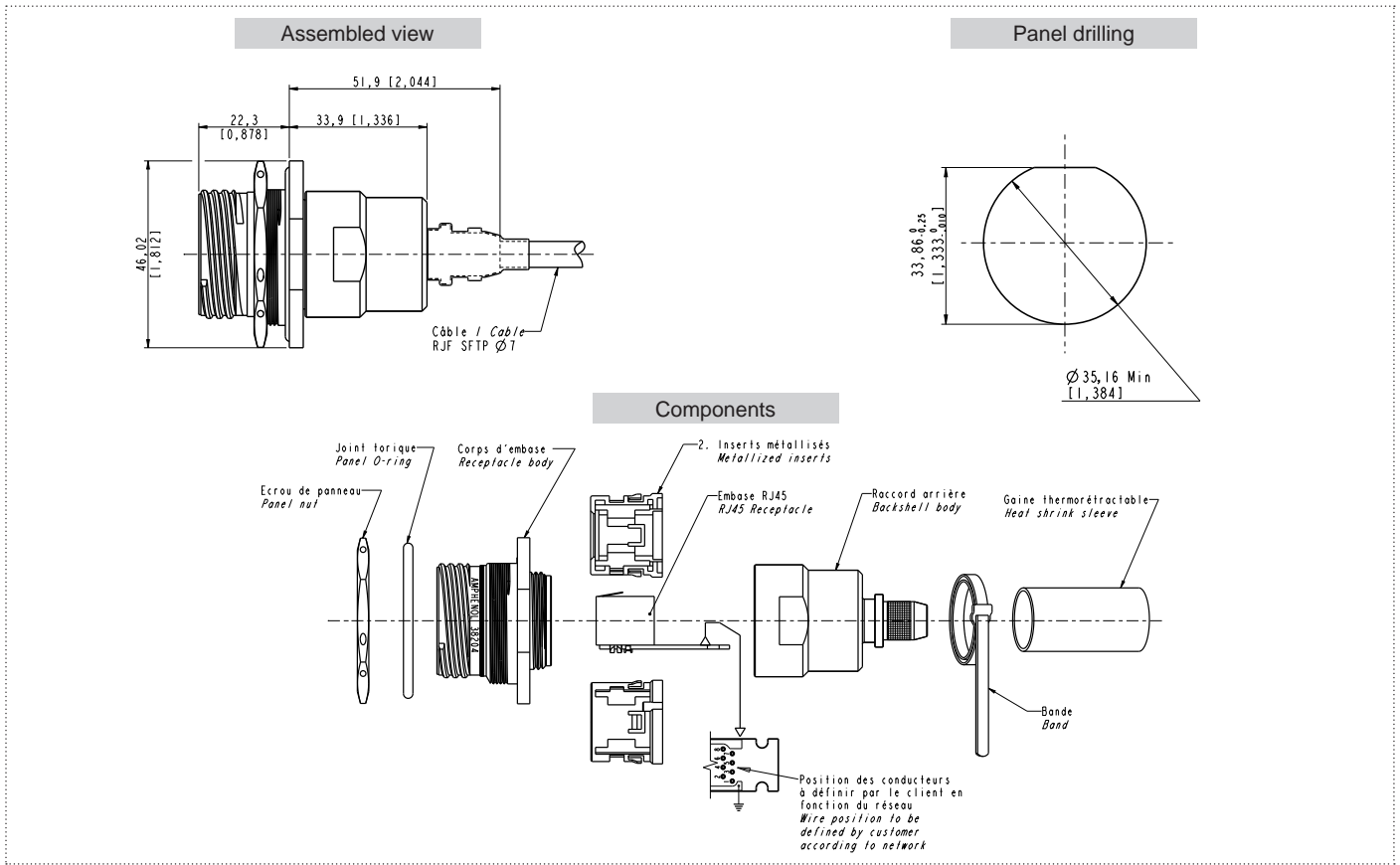


Part number	Plating
KIT40791	Olive drab cadmium
KIT40791NI	Nickel ✓
KIT40791ZN	Black Zinc nickel ✓

✓ : RoHS compliant

Overall dimension

RJFTV threaded coupling - Jam nut receptacle - Hexagonal nut mounting - Shell type 7 - Straight 360° EMI backshell

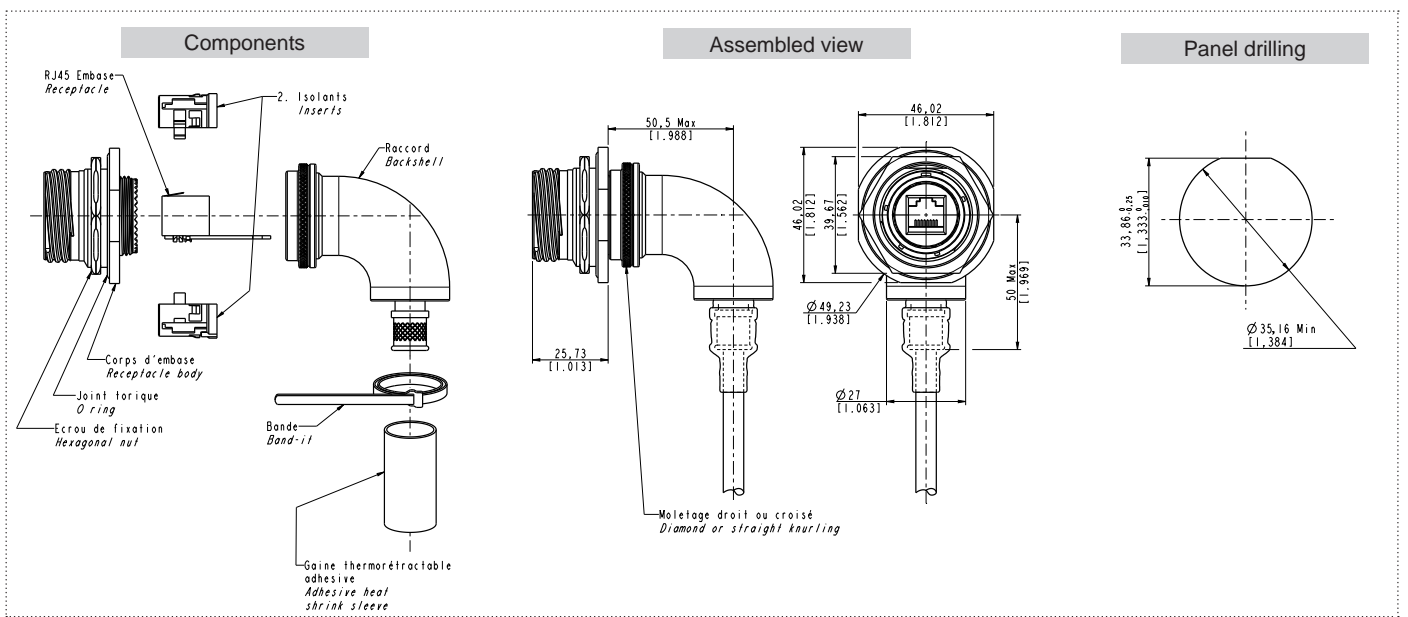


Part number	Plating
KIT38204	Olive drab cadmium
KIT38204NI	Nickel ✓
KIT38204BZ	Bronze ✓
KIT38204ZN	Black Zinc Nickel ✓
KIT38204ZC	Green Zinc Cobalt ✓

Overall dimension

RJFTV threaded coupling - Jam nut receptacle - Hexagonal nut mounting - Shell type 7 - Right angle 360° EMI backshell

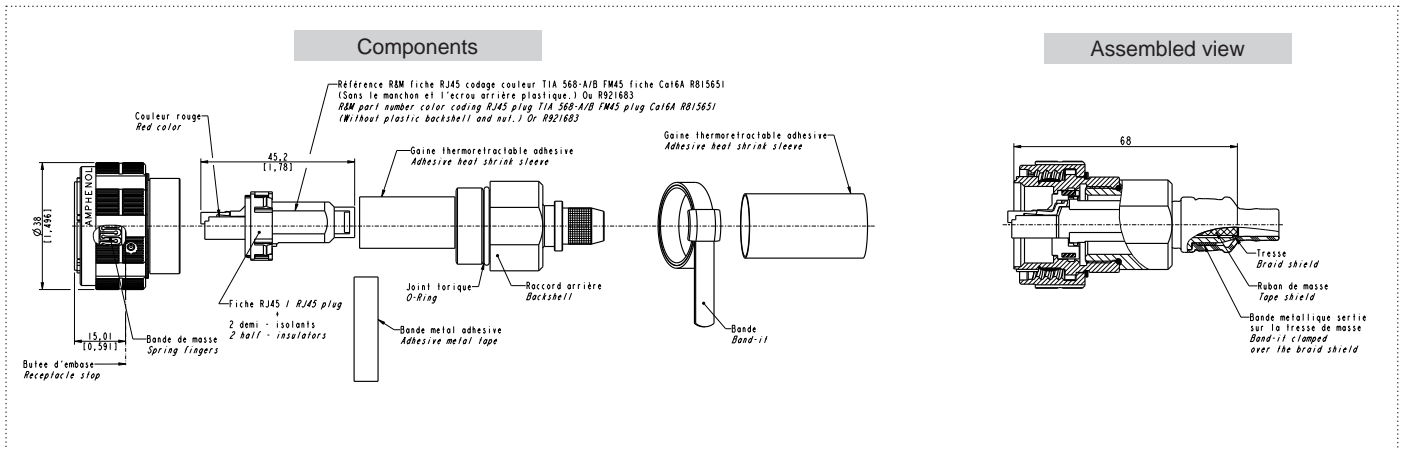
✓: RoHS compliant



Part number	Plating
KIT40771	Olive drab cadmium
KIT40771NI	Nickel ✓
KIT40771ZN	Black Zinc Nickel ✓

Overall dimension

Plug RJFTV threaded coupling- Shell type 6 - Straight 360° EMI backshell & R&M module Cat6A

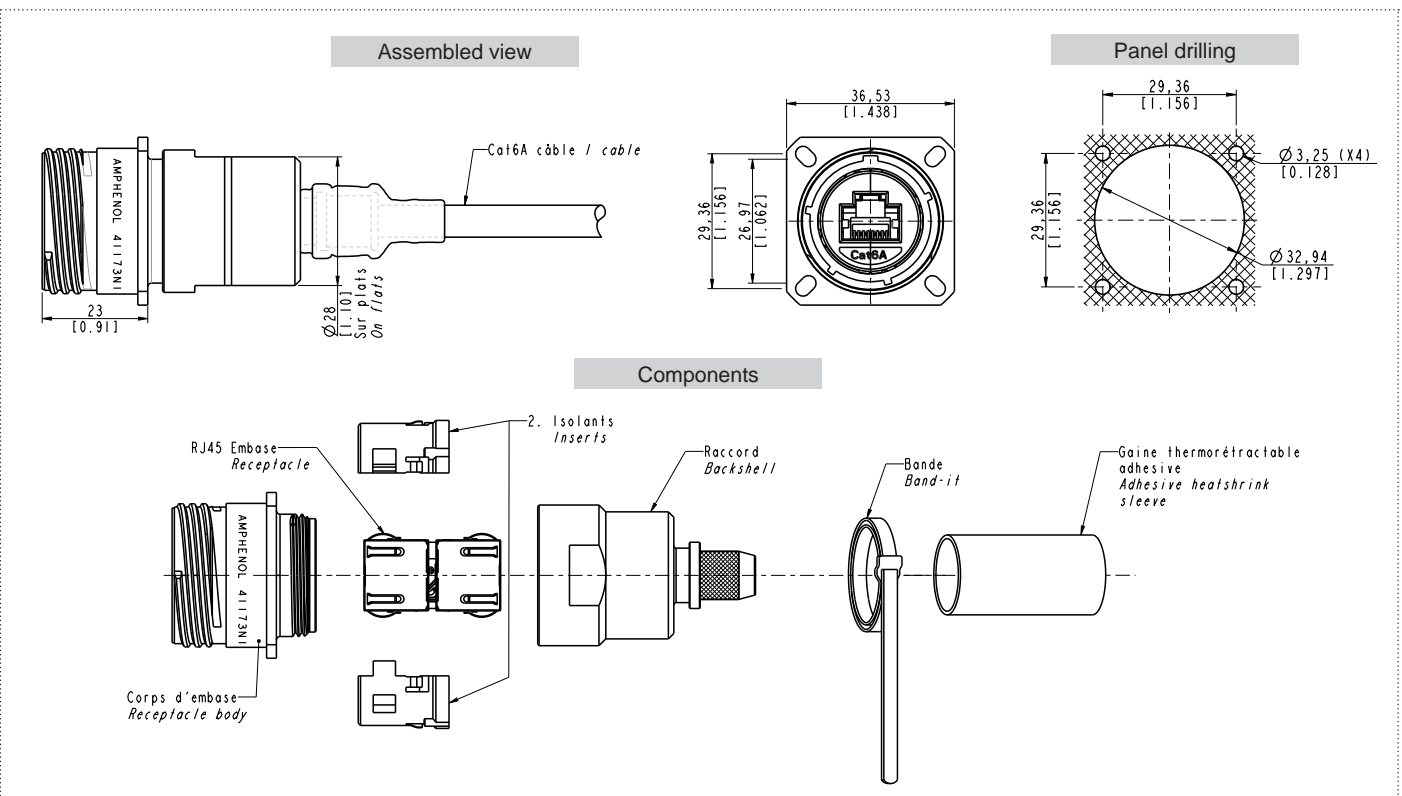


Part number	Plating
35498	Olive drab cadmium
35498N	Nickel ✓
35498ZN	Black Zinc Nickel ✓

✓ : RoHS compliant

Overall dimension

Receptacle RJFTV6A threaded coupling - Square flange receptacle - 4 mounting holes - Shell type 2 - Straight 360° EMI backshell



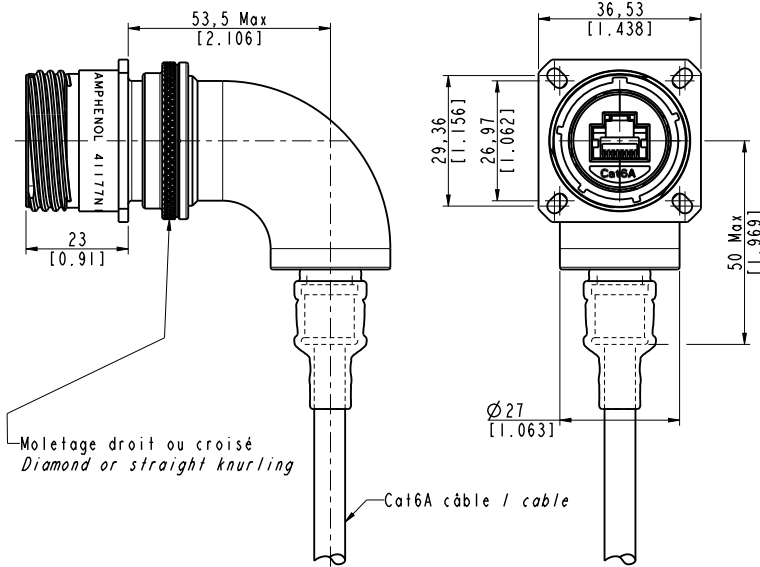
Part number	Plating
KIT41173	Olive drab cadmium
KIT41173NI	Nickel ✓
KIT41173ZN	Black Zinc Nickel ✓

✓ : RoHS compliant

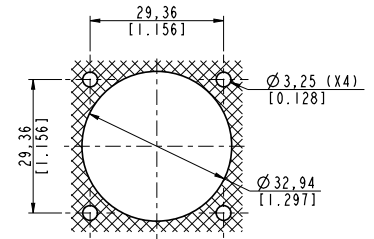
Overall dimension

Receptacle RJFTV6A threaded coupling - Square flange receptacle - 4 mounting holes - Shell type 2 - Straight 360° EMI backshell

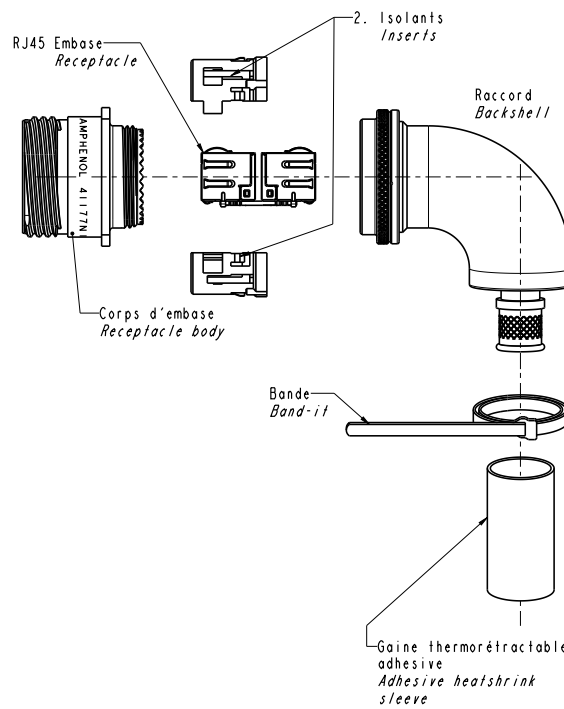
Assembled view



Panel drilling



Components



Part number

KIT41177

KIT41177NI

KIT41177ZN

Plating

Olive drab cadmium

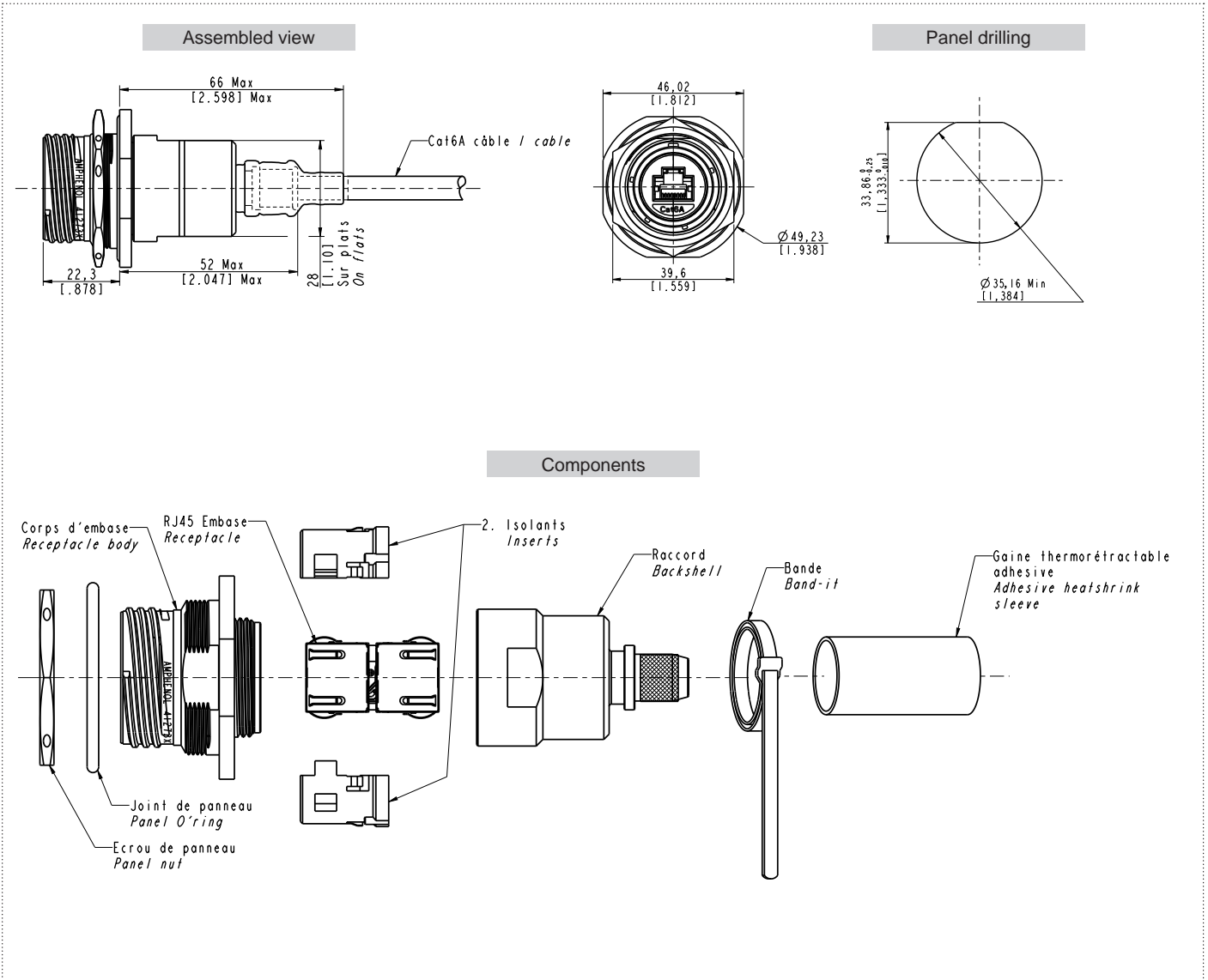
Nickel ✓

Black Zinc Nickel ✓

✓ : RoHS compliant

Overall dimension

Receptacle RJFTV6A threaded coupling - Jam nut receptacle - Hexagonal nut mounting - Shell type 7 - Straight 360° EMI backshell

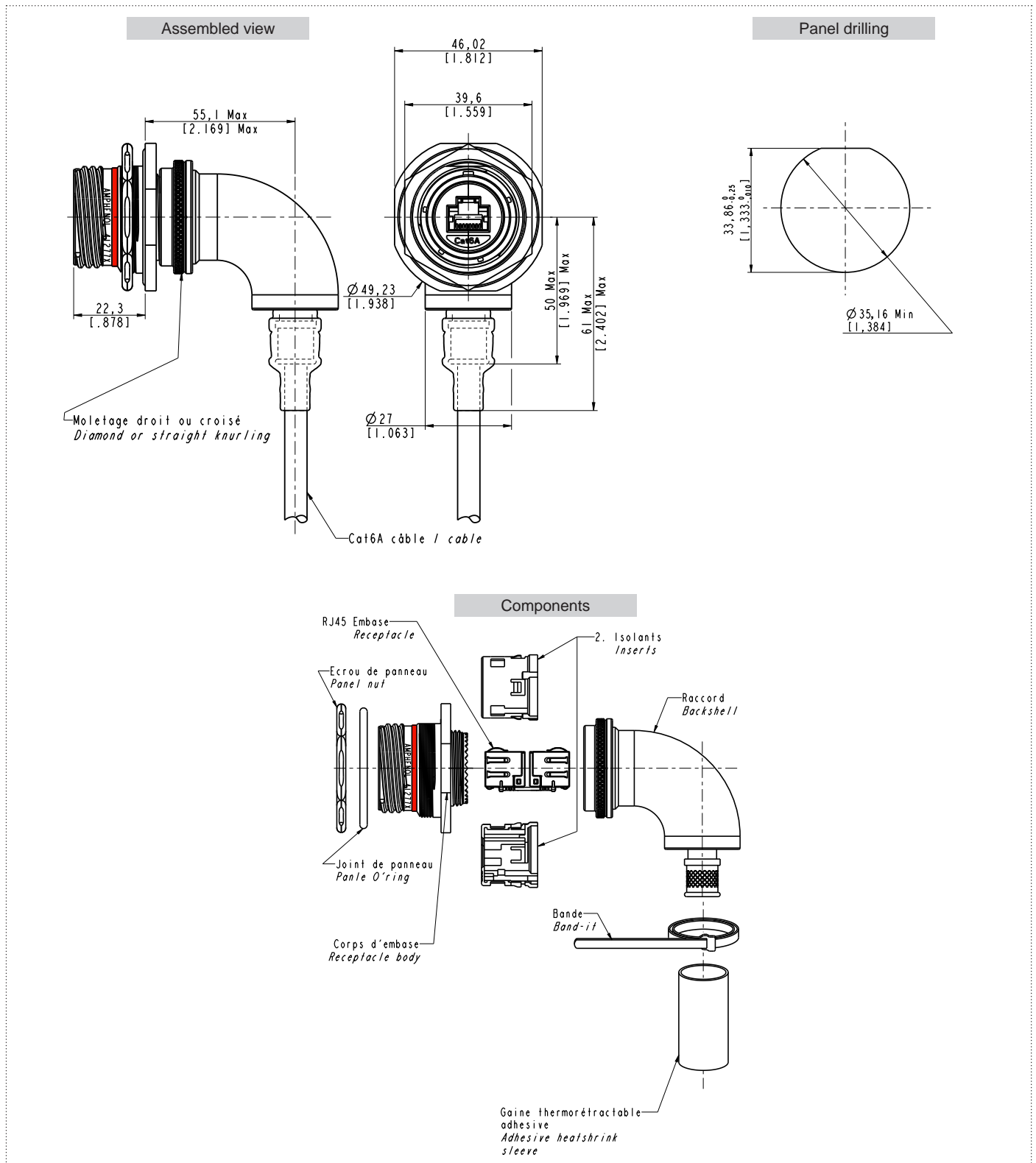


Part number	Plating
KIT41273	Olive drab cadmium
KIT41273NI	Nickel ✓
KIT41273ZN	Black Zinc Nickel ✓

✓ : RoHS compliant

Overall dimension

Receptacle RJFTV6A threaded coupling - Jam nut receptacle - Hexagonal nut mounting - Shell type 7 - Right angle 360° EMI backshell



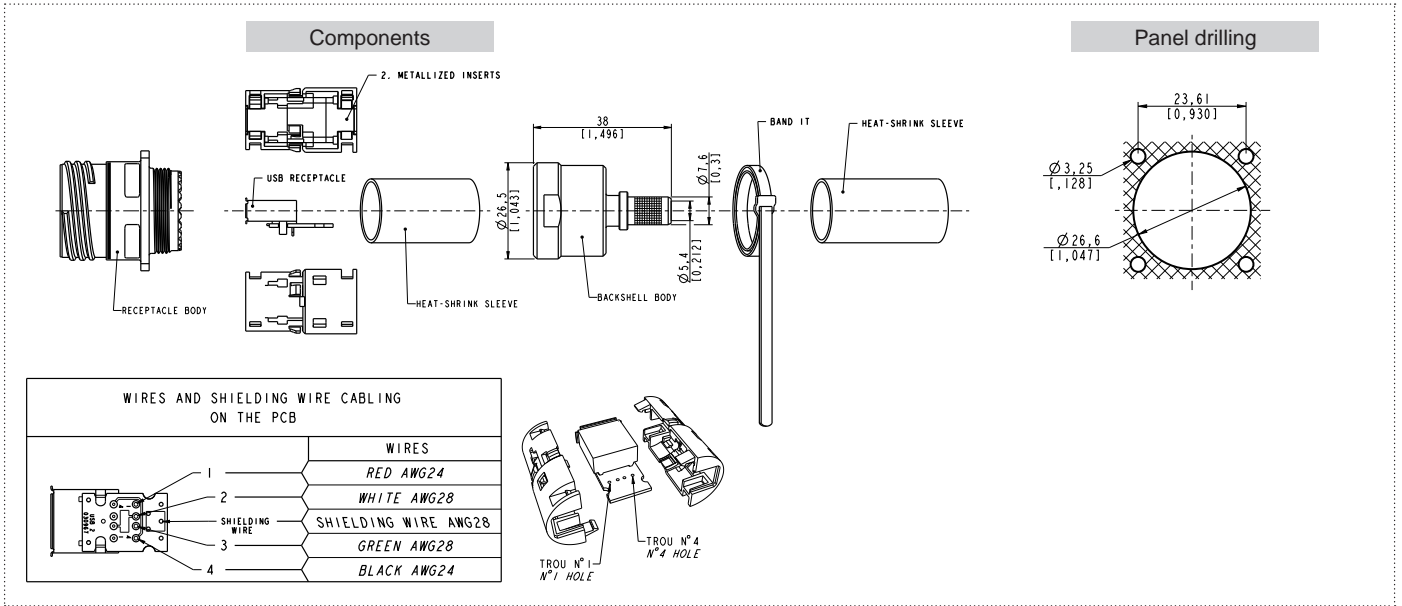
Part number	Plating
KIT41277	Olive drab cadmium
KIT41277NI	Nickel ✓
KIT41277ZN	Black Zinc Nickel ✓

✓ : RoHS compliant

USBFIELD™ 360° EMI KIT

Overall dimension

Receptacle USBFTV threaded coupling - Square flange receptacle - 4 mounting holes - Shell type 2 - Straight 360° EMI backshell

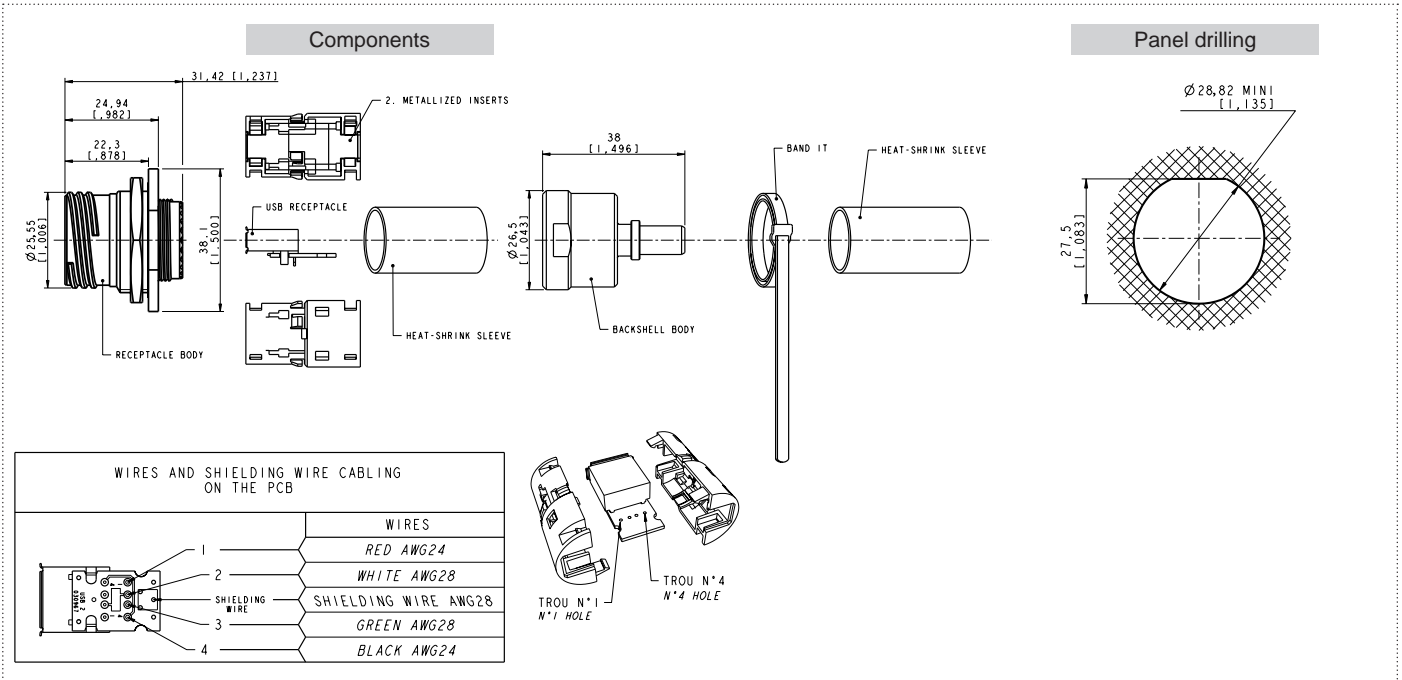


Part number	Plating
KIT40263G	Olive drab cadmium
KIT40263	Nickel ✓
KIT40263ZN	Black Zinc Nickel ✓

✓ : RoHS compliant

Overall dimension

Receptacle USBFTV threaded coupling - Jam nut receptacle - Hexagonal nut mounting - Shell type 7 - Right angle 360° EMI backshell

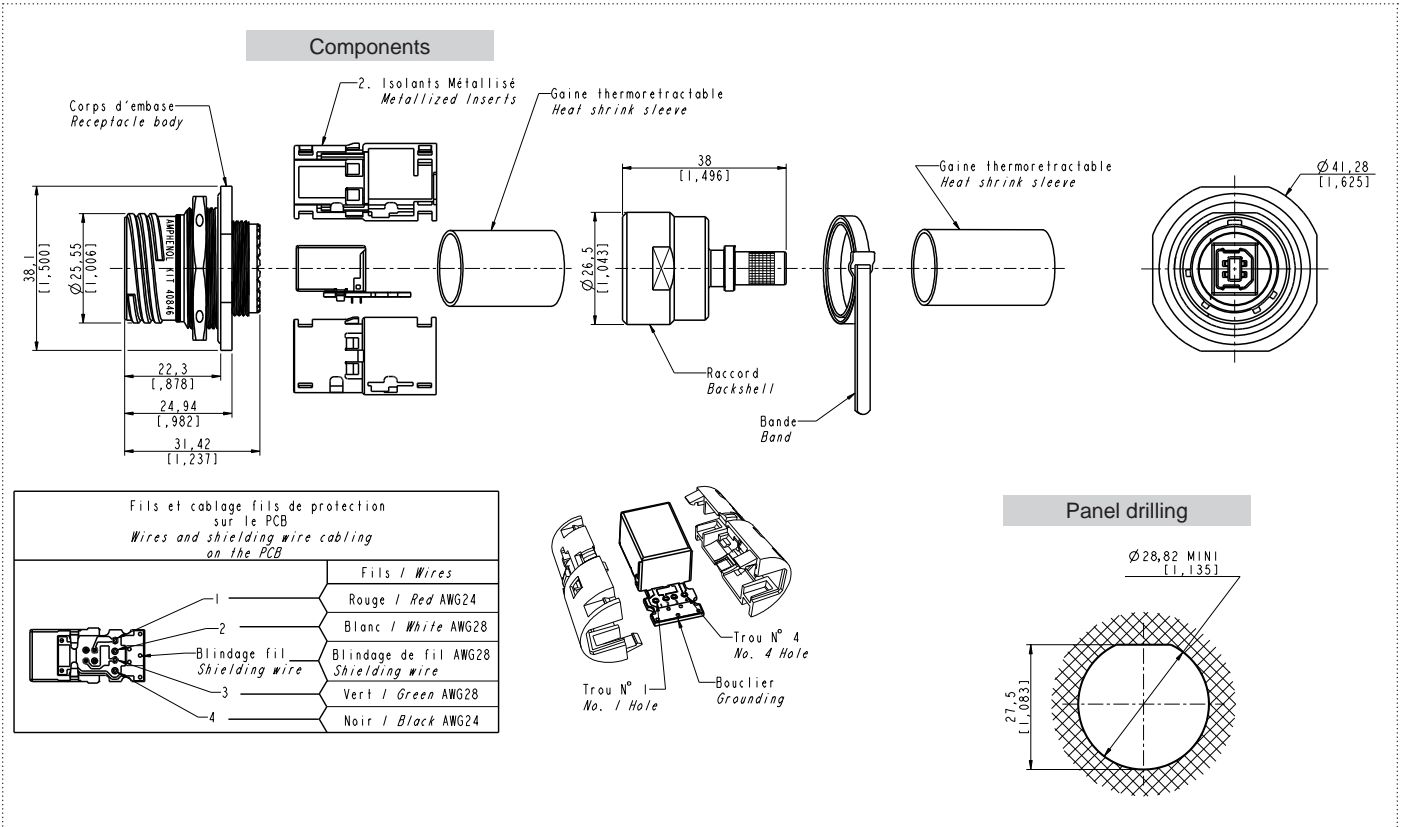


Part number	Plating
KIT40245G	Olive drab cadmium
KIT40245	Nickel ✓
KIT40245ZN	Black Zinc Nickel ✓

✓ : RoHS compliant

Overall dimension

Receptacle USBBFTV threaded coupling - Jam nut receptacle - Hexagonal nut mounting - Shell type 7 - Straight 360° EMI backshell



Part number	Plating
KIT40846G	Olive drab cadmium
KIT40846	Nickel ✓
KIT40846ZN	Black Zinc Nickel ✓
KIT40846ZC	Green Zinc Cobalt ✓

✓ : RoHS compliant


Available cabling video



RJ45

**Amphenol
SOCAPEX**

Cabling of Rugged RJ45 with Straight EMI Backshell



Connector assembly _____



RJ45

**Amphenol
SOCAPEX**

Cabling of Rugged RJ45 with Right Angle EMI Backshell



Connector assembly _____

