

MPO Field

Fiber Optic Solution



Transform your MPO patchcord into an environmental connector

MPO Field offers an easy system to upgrade from a standard to an environmental MPO with no cabling operation for installation in field.

Main Features

- Uses standard MPO Patchcord
- MPO inside a MIL-DTL 38999 Series III size 13 shell
- Sealed against fluids and dust (IP68)
- Shock, vibration proof
- No cabling operation in field

Characteristics

- Number of channels : 12 or 24 depends on MPO
- Typical insertion loss : 0,5dB Multimode or Singlemode
- Durability : 500 mating/unmating cycles



Markets & Applications



C6ISR

Threat detection system
Soldier wearable equipment
Rugged computer & digital radio
Satellite reception unit
Radars



Navy

Navigation
Embedded Network
Data Centers



Military Aerospace & Airframe

Radars
Display unit
Flight control system



Military vehicles

Vetronics
Optronics
Communication Systems

MPO Field Assembly

Assembling your MPO FIELD



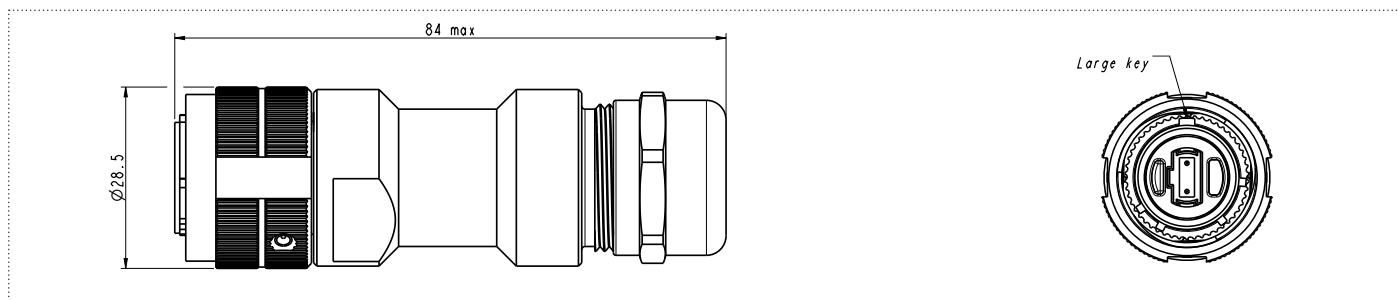
See our new video
«MPO Field» :



MPO Field Straight Plug

Plug with metallic backshell and metallic gland

MIL-DTL 38999 Series III Size 13

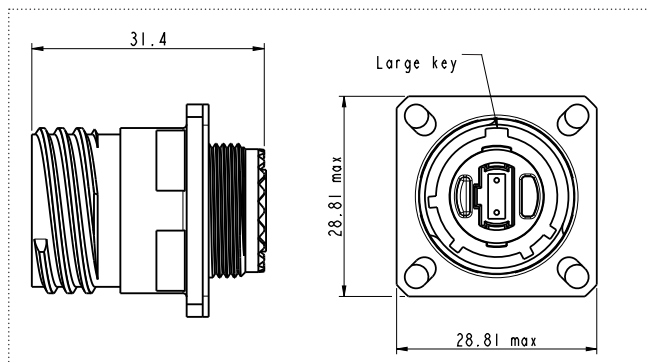


3D files available on request

MPO Field Receptacles

Square flange receptacle

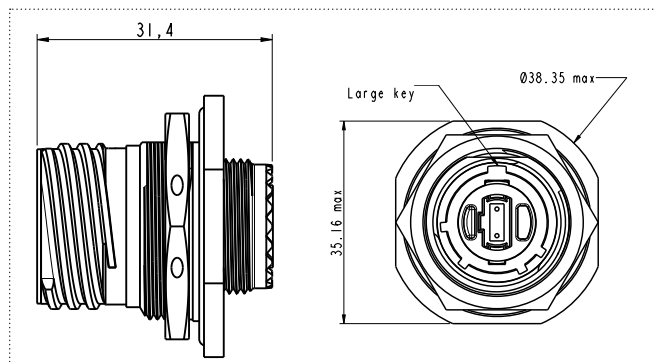
MIL-DTL 38999 Series III Size 13



3D files available on request

Jam nut receptacle

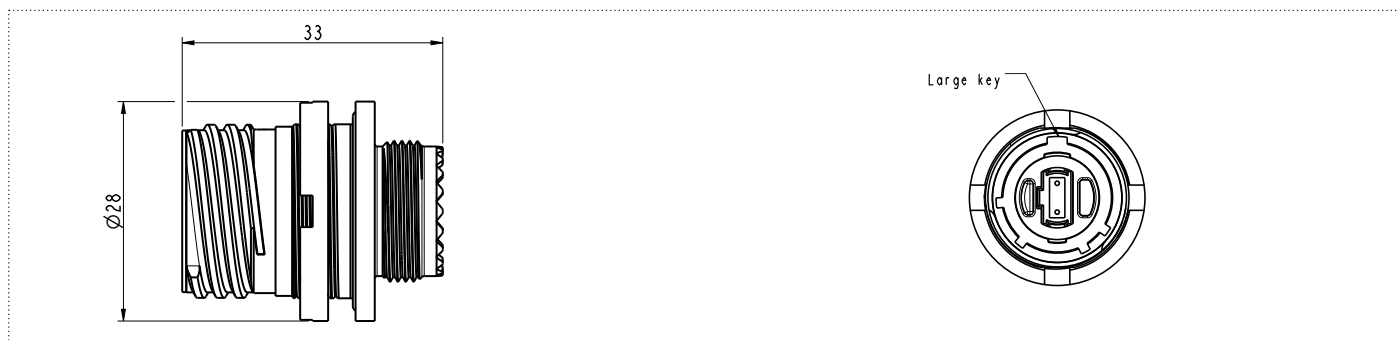
MIL-DTL 38999 Series III Size 13



3D files available on request

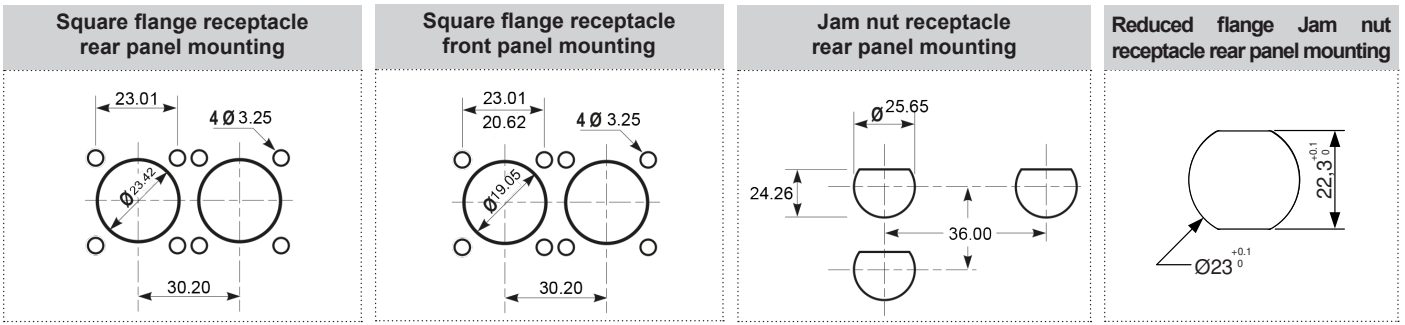
Reduced flange Jam nut receptacle

MIL-DTL 38999 Series III Size 13

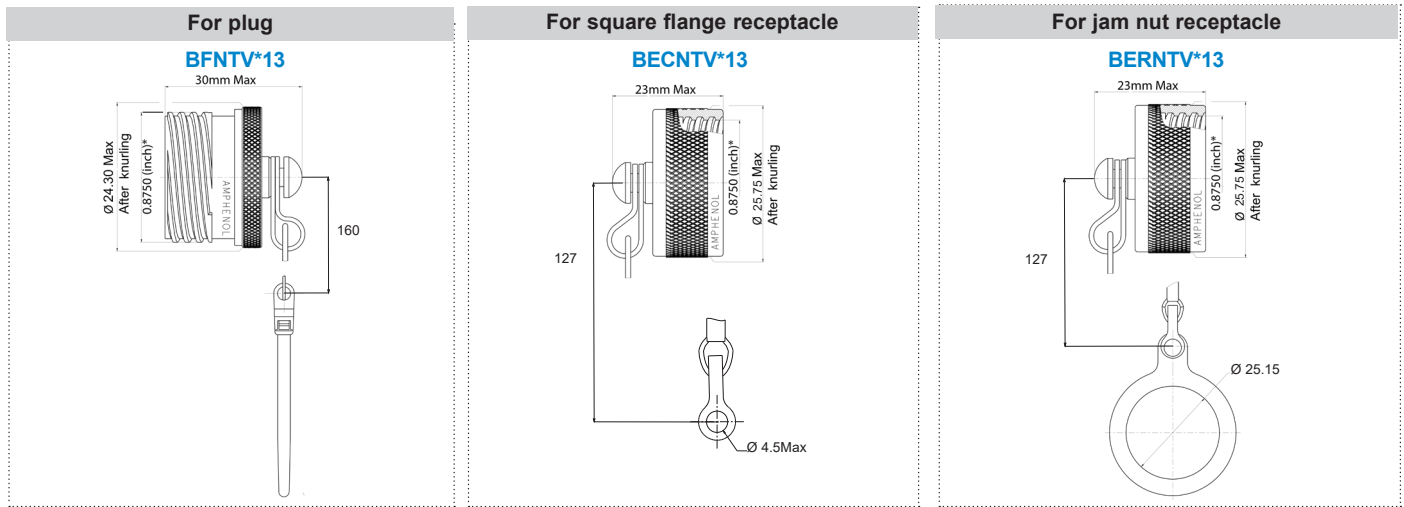


3D files available on request

MPO Field Panel drilling

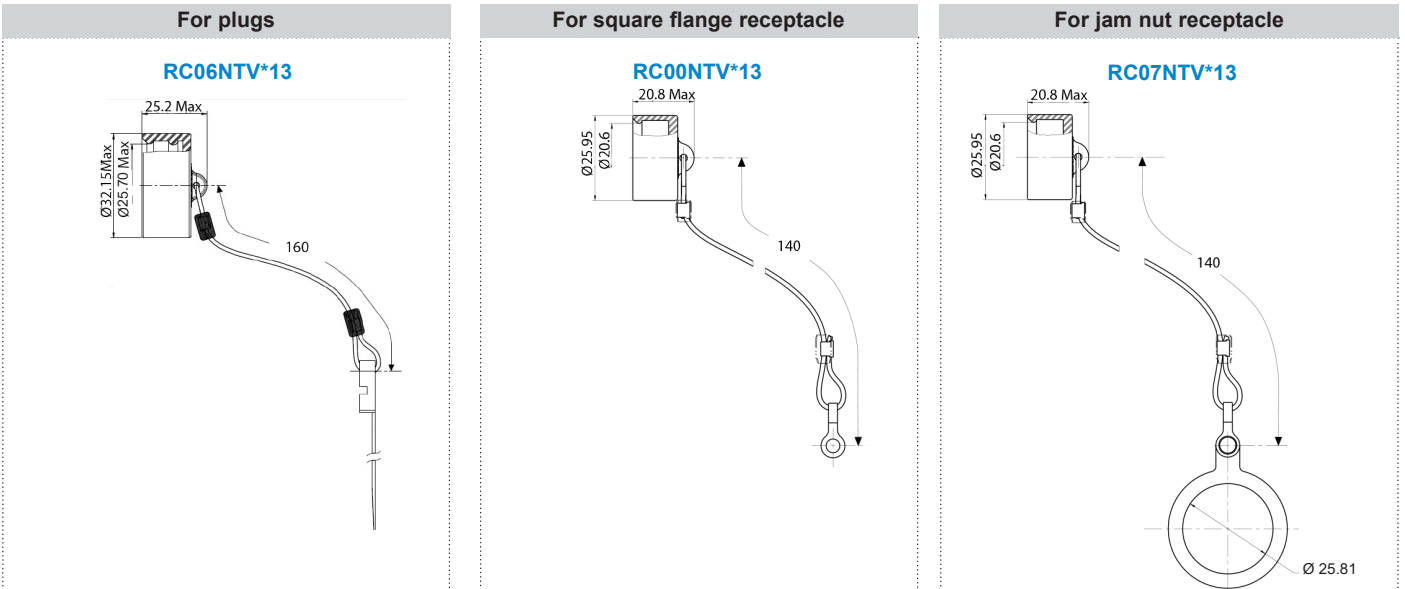


MPO Field Protective Caps Standard Metal Protective Caps



* A thread 0.1P-0.3L-TS, Class 2A (External), Class 2B (Internal)

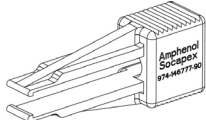
Protective Rubber Caps



Accessories

MPO Field Dismounting Tool

MPOFTV DM TOOL : MPO FIELD Dismounting tools



MPO Field - How to order

MPO Field Connectors

1.	2.	3.	4.	5.	6.
Series	Shell type	Cable type	Shell protection	Shell coding	Deviation
MPOFTV	6M	A	N	N	

1. Series	
MPOFTV	MPO Field TV Series

2. Shell type	
With metallic backshell	
6M	Plug with metallic backshell and metallic gland
2PEM	Square flange receptacle with metallic backshell
7PEM	Jam Nut receptacle with metallic backshell
Without backshell	
2	Square flange receptacle
7	Jam Nut receptacle

3. Cable type	
Only with backshell	
A	Round cable from Ø 2 to 2,99mm
B	Round cable from Ø 3 to 3,99mm
C	Round cable from Ø 4 to 5,99mm
D	Round cable from Ø 6 to 7,99mm
Only without backshell	
0	Receptacle without backshell

4. Shell protection	
N	Electroless Nickel ✓
G	Olive drab cadmium
B	Marine Bronze ✓
ZN	Black zinc nickel ✓

5. Shell coding	
N	Standard coding N
A	Coding A
B	Coding B
C	Coding C
D	Coding D
E	Coding E

6. Deviation (metal shells and jam nut receptacle only - TV Series)	
F312	Reduced flange
F311	Reduced flange with safety castle nut

Standard Metal Protective Caps

1.	2.	3.	4.	5.	6.	
Cap type	Cap style	Wire type	Series	Material and platings	Cap size	Deviation
B	EC	N	TV	W	13	

1. Cap style	
EC	For square flange receptacle
ER	For jam nut receptacle
F	For plugs

2. Wire type	
N	Nylon cord

3. Series	
TV	For MIL-DTL-38999 Serie III (TV-CTV), RNJLP, SC39, Powersafe

4. Materials and platings	
Shell material	
W	Aluminum
ZN	
B	Marine Bronze ✓
Shell finish	
	Olive drab cadmium
	Nickel ✓
	Black zinc nickel ✓
	-

5. Cap size	
13	

6. Deviation (TV Series only)	
F057	For Reduced flange jam nut receptacle (TV Series, RJFTV, USBFTV)

Protective Rubber Caps

1.	2.	3.	4.	
Cap type	Cap style	Wire type	Series	Cap size
RC	00	N	TV	13

1. Cap style	
00	For square flange receptacle
07	For jam nut receptacle
06	For plugs

2. Wire type	
N	Nylon cord

3. Series	
TV	For MIL-DTL-38999 Serie III (TV-CTV), RNJLP, SC39

4. Cap size	
13	

✓ RoHS compliant

Amphenol Socapex
948, promenade de l'Arve BP29
74311 Thyez Cedex - France
Phone: +33 (0)4 50 89 28 00
contact@amphenol-socapex.fr

www.amphenol-socapex.com
Follow Amphenol Socapex on social media :



Designed by Amphenol Socapex
DOC-001029-ANG - April 2026

We reserve the right to modify our products in any way we deem necessary.
Any duplication is prohibited, unless approved in writing.

Amphenol SOCAPEX