

μCom USBC

NEW



Description

μCom-USBC is a miniaturized ruggedized solution for USB Type-C standard connectors.

Based on μCom form factor two types of coupling system are available : Push Pull or Threaded.

This solution strengthens and protects your devices against fluids, dust, shocks, and disconnection due to vibrations.

In addition, reversibility for data and power transmission is achieved for receptacles.

Benefit from USB type-C flexibility to design many different data, power delivery, and video configurations with all the advantages of Amphenol Socapex know-how in ruggedized connector solutions.

Main Features

Main characteristics:

- Miniature: 15mm (.59") max external diameter.
- Receptacle compatible with both Threaded and Push-pull plugs.
- Machined brass shells.
- Shock, traction resistance.
- EMI protection
- Low Smoke Zero Halogen cable jacket and overmolding
- Vibrations according to MIL-STD-810, Method 514.8 Category14:
 - Push Pull version : 500Hz 1h/axis ; no discontinuity >10μs
 - Threaded version : 500Hz 4h/axis ; no discontinuity >1μs
- EMI protection: shielding continuity.
- Mating plug/receptacle cycles :
 - Push Pull version : 2000 cycles
 - Threaded version : 500 cycles

Data transmission and Power:

- Fully reversible for both plug and receptacle.
- Intensity: 5A max
- Voltage: 20V max
- Dielectric: Withstanding voltage: 100 VAC
- Maximum length transmission: Up to 2m
 - Up to 1m: compatible with USB3.2 Gen2
 - 1m to 2m: compatible with USB3.2 Gen1

Video transmission :

- DP1.4 Alt Mode

Environmental protection:

- Sealing: IP68 unmated and mated (1m/1h)
- Salt spray:
 - 500 h with Black Zinc Nickel plating ✓
- Shock resistance: IK06 onto mated pair
- Operating temperature: -40°C to +85°C (-40F to 185°F)

✓ : RoHS compliant

Markets & Applications



C6ISR, Battlefield Communication



Ground Vehicles
Soldier worn application



Naval

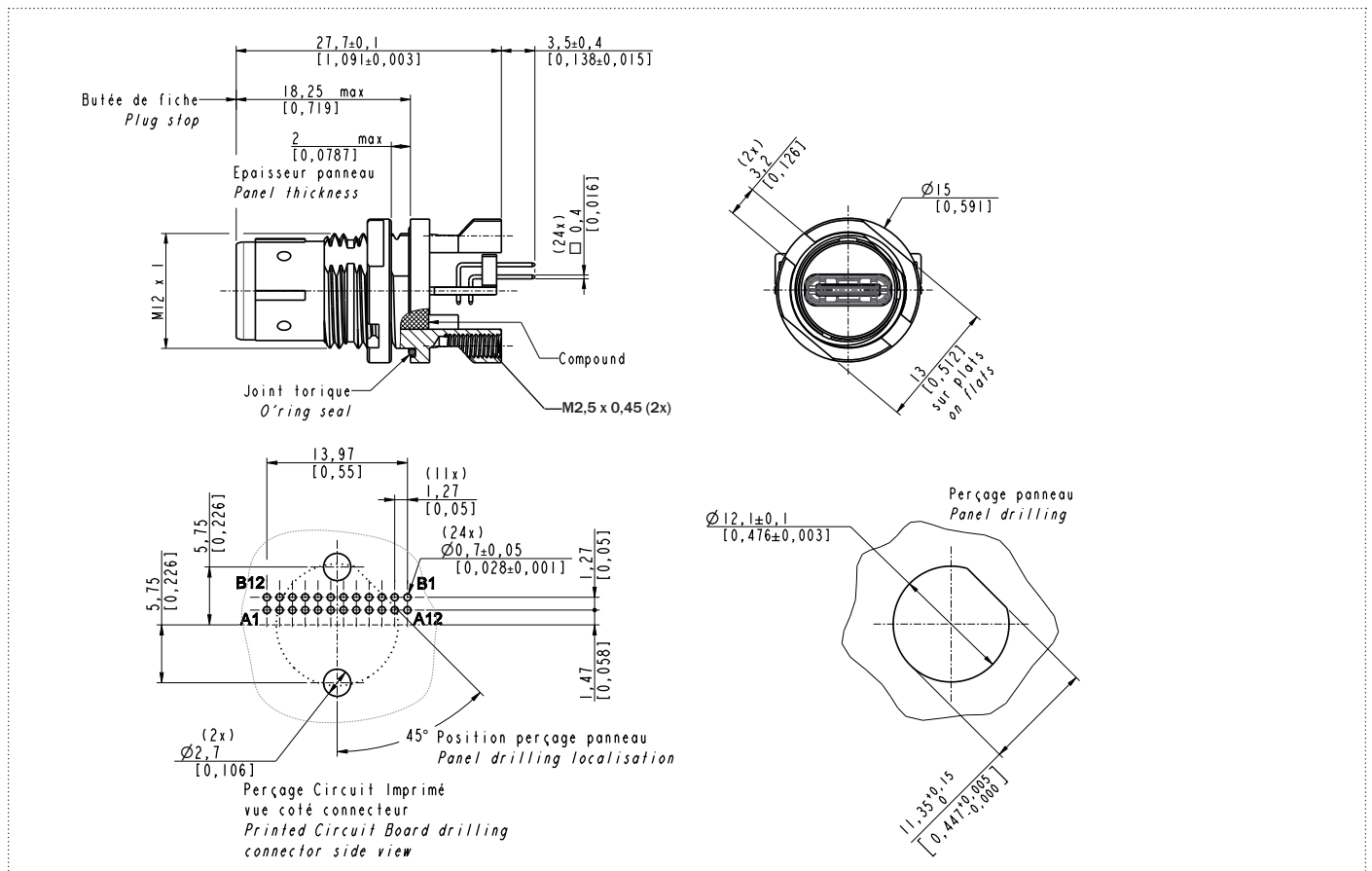


Applications :
▶ Displays, Consoles, Visions systems, Situation awareness

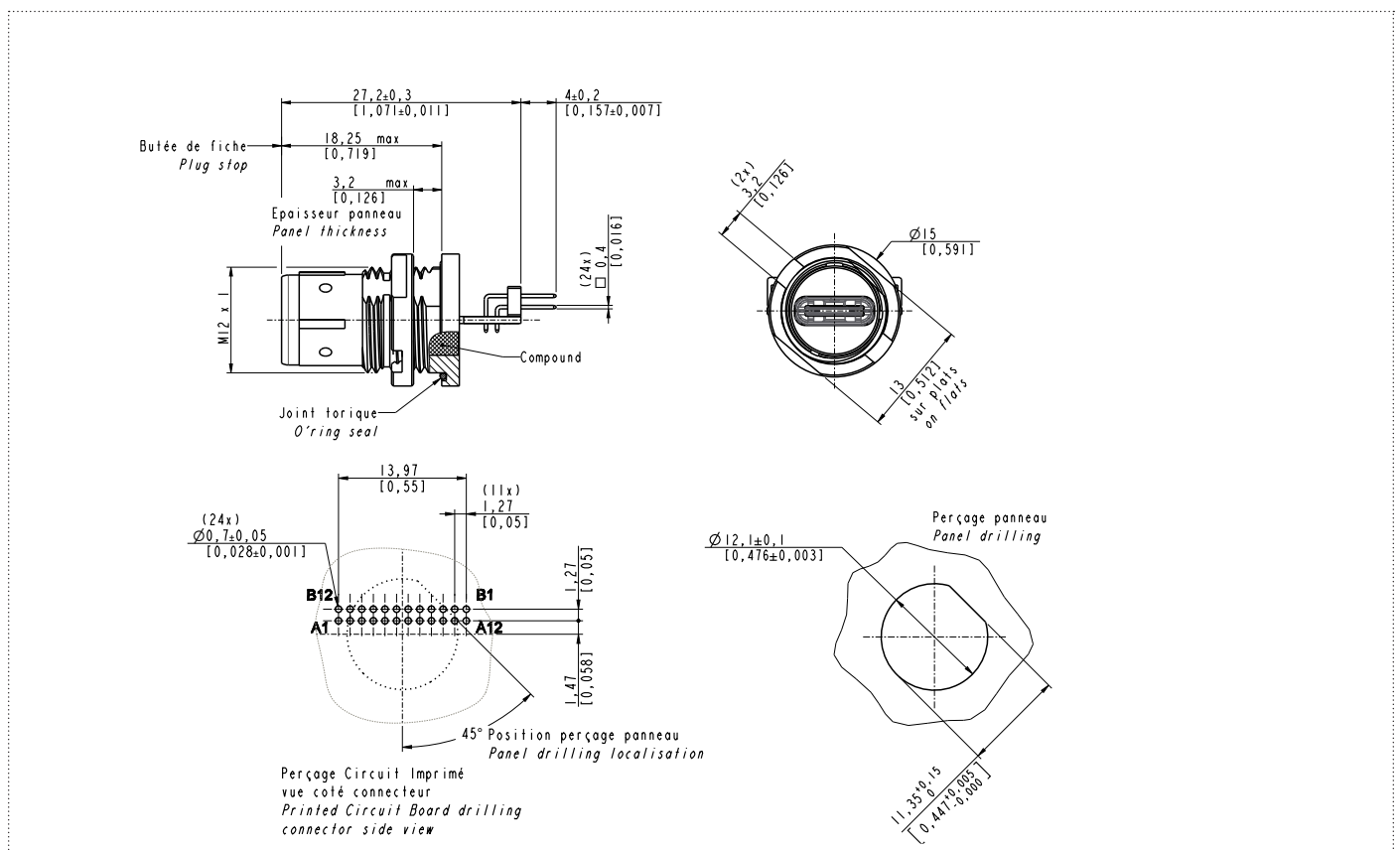
Overall dimension



Part number type: **UCOM-USBC RP ZN F059**

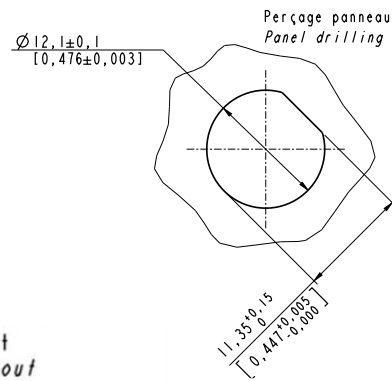
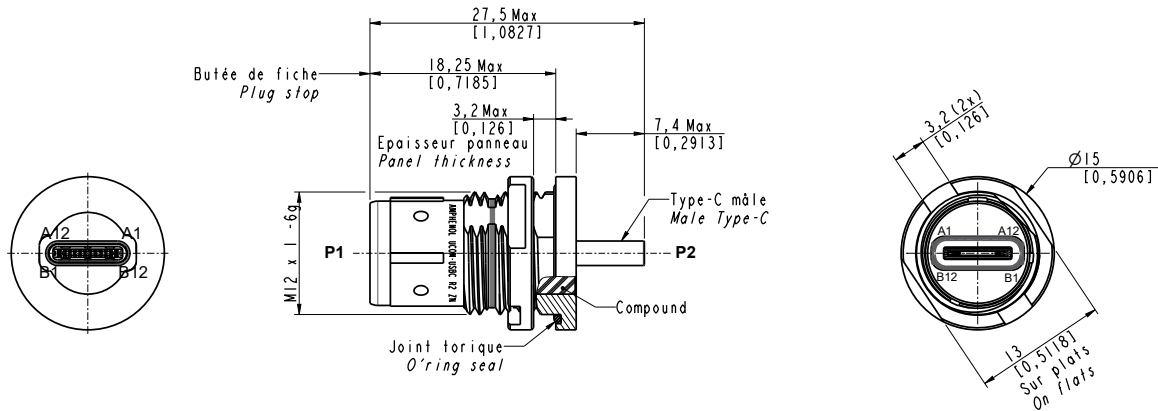


Part number type: **UCOM-USBC RP ZN**

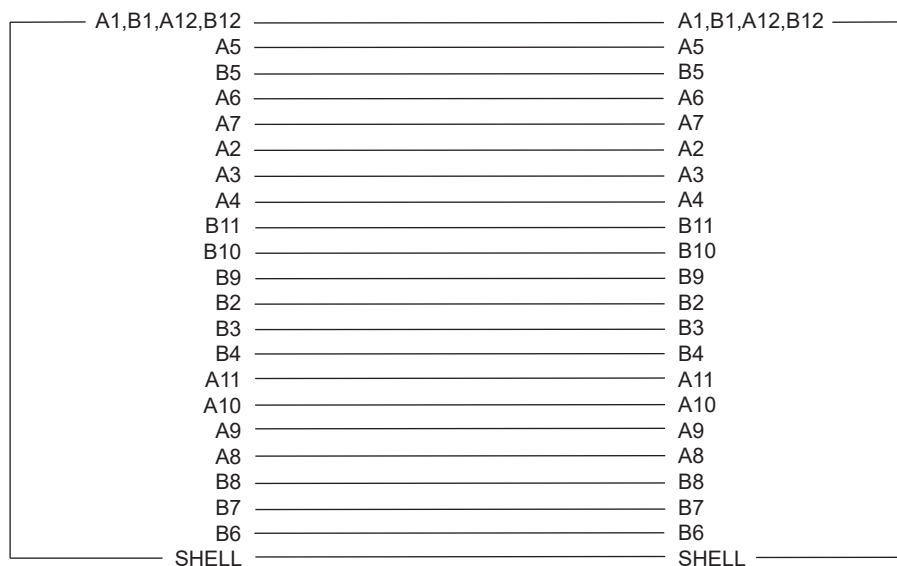


Overall dimension

Part number type: **UCOM-USBC R2 ZN**



Brochage droit
Straight pin out

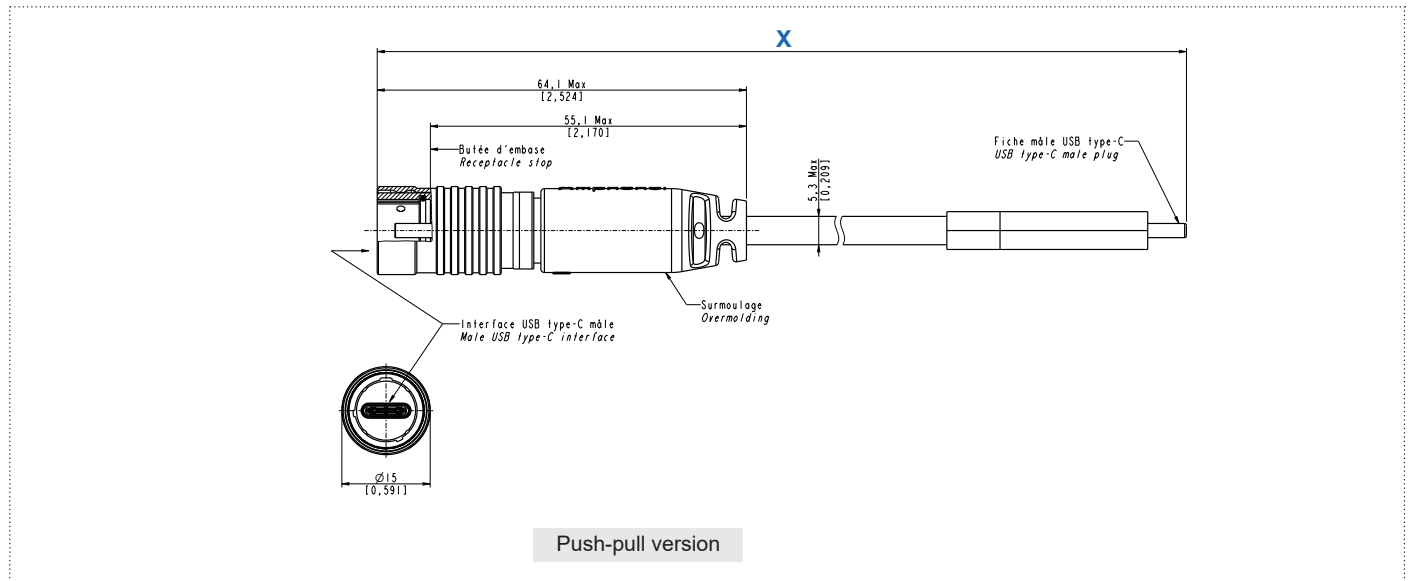


Overall dimension



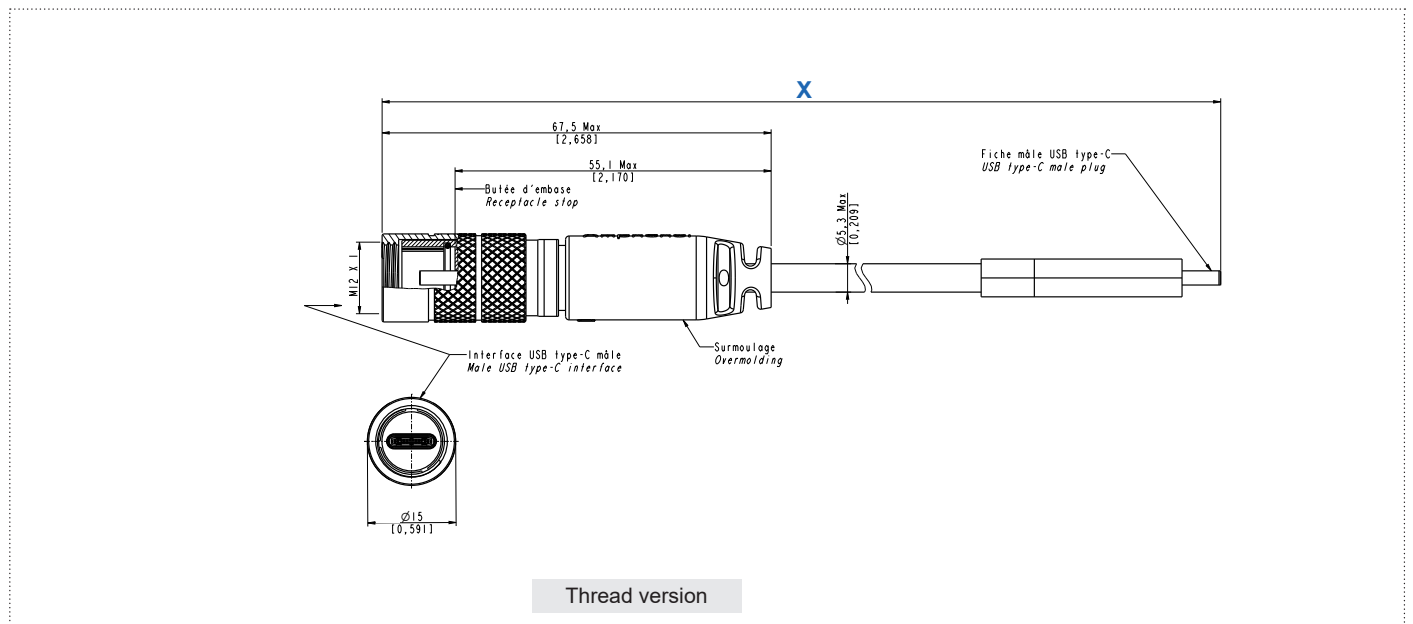
Part number type: UCOM-USBC PP ZN xxx

x: see the How to order to complete your part number



Part number type: UCOM-USBC PT ZN xxx

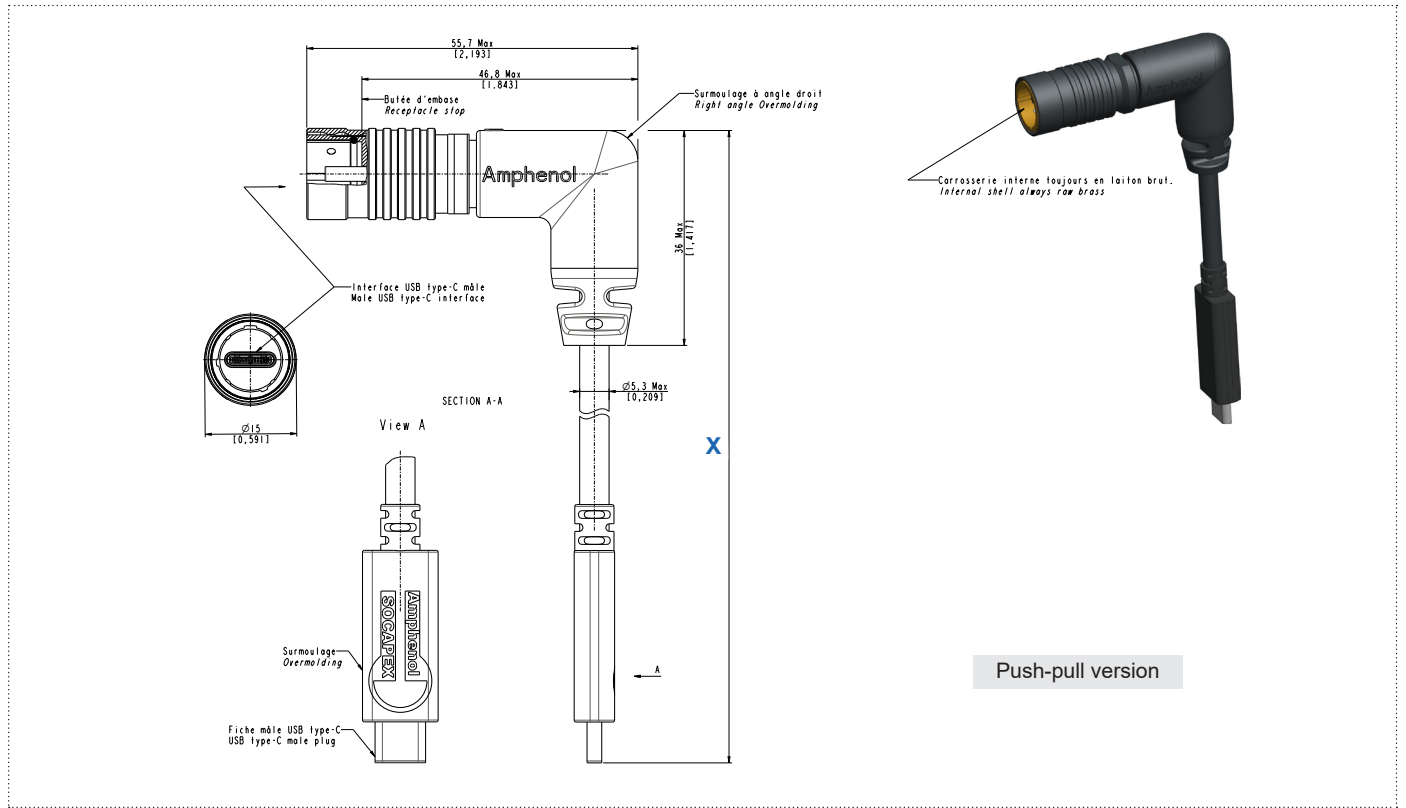
x: see the How to order to complete your part number



Overall dimension

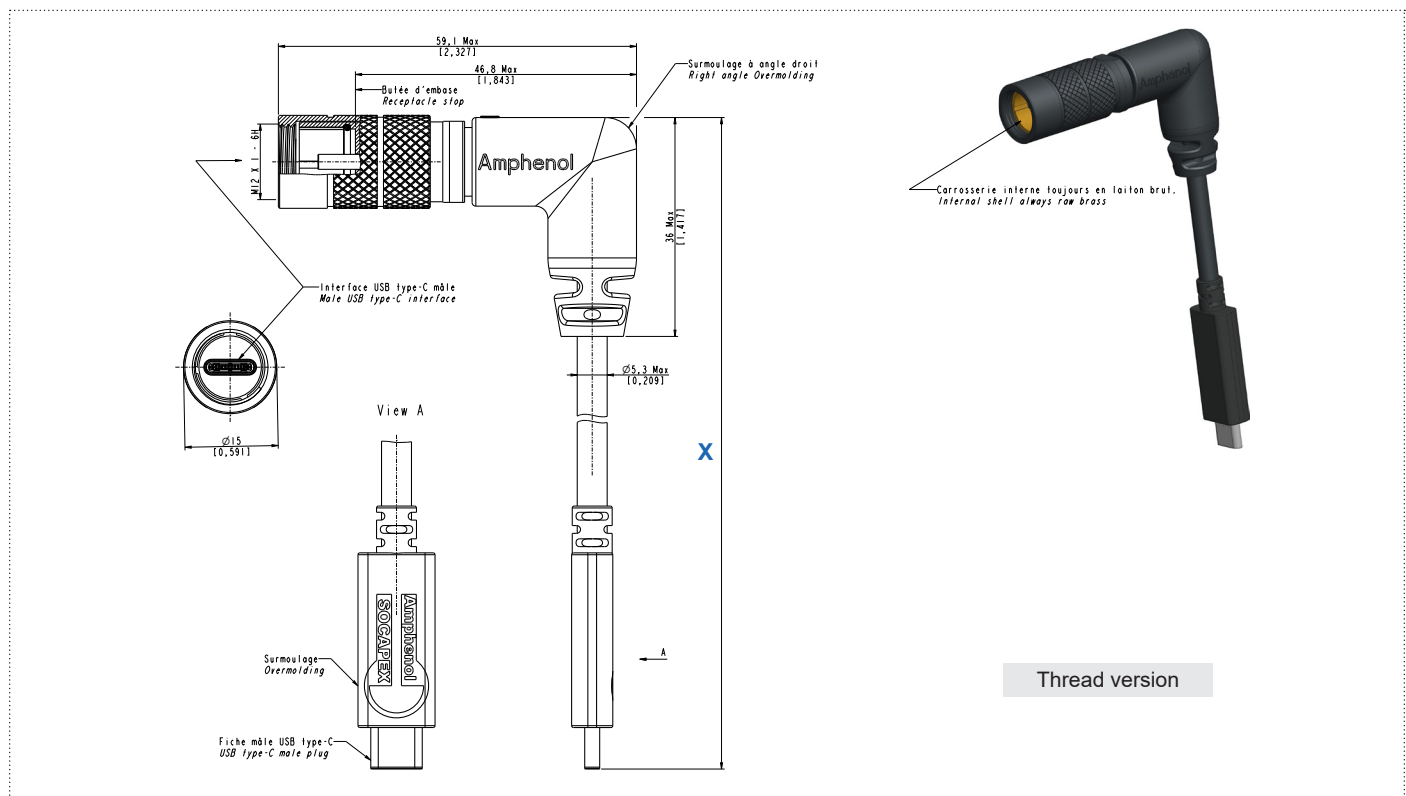
Part number type: **UCOM-USBC PP RA ZN xxx**

x: see the How to order to complete your part number



Part number type: **UCOM-USBC PT RA ZN xxx**

x: see the How to order to complete your part number

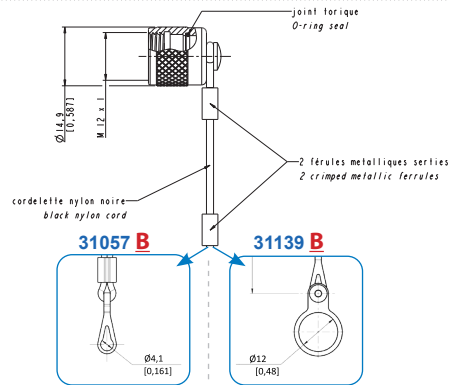




CAPS for receptacles

IP68 metallic cap

B for Black electrophoresis plating



IP68 metallic cap with metallic tie on panel OR IP68 metallic cap with a Ø12 fixation ring
Nota: plan a hole on the panel

IP68 neoprene cap - Part number: **31091**
Nota: plan a type M3 hole on the panel



CAPS for plugs

Cap in neoprene
Part number: **31092**



How to order UCOM- USBC

1.	2.	3.	4.	5.	6.
Series	Shell type	Overmolding Type	Material and platings	Cordset length	Deviation (only for RP shell type)
UCOM-USBC	PP		ZN	050	

1. Series

UCOM-USBC µCom USB type C serie

2. Shell type

RP	PC tail receptacle
R2	Coupler female-male receptacle
PP	Push pull plug
PT	Threaded plug

3. Overmolding Type (only for plug)

Blank	Straight version
RA	Right angle version

4. Material & platings

	Shell material	Shell plating
ZN	Brass	Black zinc nickel ✓

✓ : RoHS compliant

5. Cordset length (only for plug)

	Meters	Inch
030	0,3	11.81
050	0,5	19.69
100	1	39.37
200	2	78.74

6. Deviation (only for RP shell type)

Blank	PC tail receptacle without stand off (gold plated contact)
F059	PC tail receptacle with stand off (gold plated contact)

Other configuration please consult us.