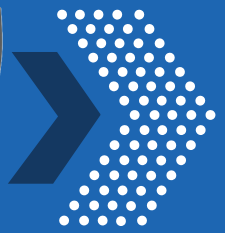


NEW



CAPLOCK M TV

Description

Metal Caplock is a hardware cybersecurity solution designed specifically for MIL-DTL-38999 Series III receptacles.

This solution provides robust protection against both physical and electromagnetic threats, while ensuring optimal system security through the integration of a locking mechanism that restricts connector access to authorized persons only.

Its EMC/EMI shielded design, Metal Caplock is particularly well suited to sensitive and critical environments, including TEMPEST applications. It limits the leakage of compromising emanations, helping to protect against attacks by auxiliary channels and electromagnetic interference.

Easy to install and lock, Metal Caplock effectively secures unused ports, while meeting military requirements for mechanical robustness, sealing and electromagnetic compatibility.

Main Features

Main characteristics:

- Locking / unlocking device with a dedicated key.
- Available for all sizes of 38999 connectors.
- Metal CapLock only compatible with receptacle shells
- Shock, vibration, and traction resistance.
- EMC protection: Designed to TEMPEST requirement
- Mating cycles: 500

Environmental protection:

- Sealing: IP68 unmated and mated (2m/2h)
- Salt spray:
 - 500 h with Black anodized plating (not conductive) ✓
 - Others platings or raw material, please **consult us**.
- Shock resistance: IK06
- Operating temperature: -55°C to +125°C (-67F to 257°F)

✓ : RoHS compliant

Markets & Applications



C6ISR, Battlefield Communication



Ground Vehicles



Naval



Applications :

▶ Hardware cybersecurity on TEMPEST system

CAPLOCK M TV

Overall dimension

Part number type: **CAPLOCK M TV**

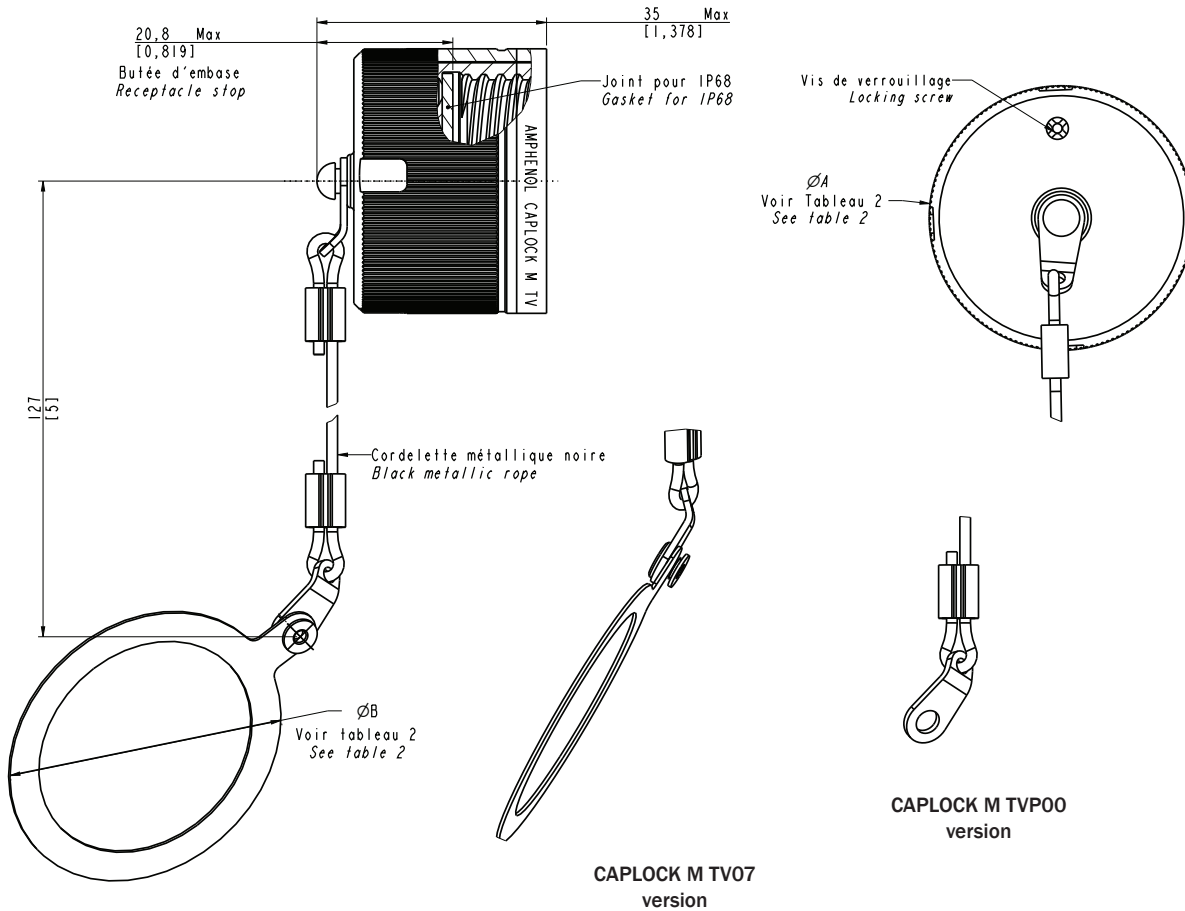


Tableau 2 / Table 2

DESIGNATION	TAILLE / SIZE	Diametre A Max A Max Diameter	Diametre B Max B Max Diameter
CAPLOCKMTVXXX09	T9	24,5 [0,964]	24,5 [0,964]
CAPLOCKMTVXXX11	T11	28 [1,102]	30,6 [1,205]
CAPLOCKMTVXXX13	T13	31,7 [1,248]	35,6 [1,401]
CAPLOCKMTVXXX15	T15	35 [1,378]	38,8 [1,528]
CAPLOCKMTVXXX17	T17	41,3 [1,626]	42 [1,653]
CAPLOCKMTVXXX19	T19	41,3 [1,626]	45,2 [1,780]
CAPLOCKMTVXXX21	T21	44,5 [1,752]	48,3 [1,902]
CAPLOCKMTVXXX23	T23	47,5 [1,870]	51,5 [2,026]
CAPLOCKMTVXXX25	T25	50 [1,968]	56,4 [2,22]

Available How to Use video

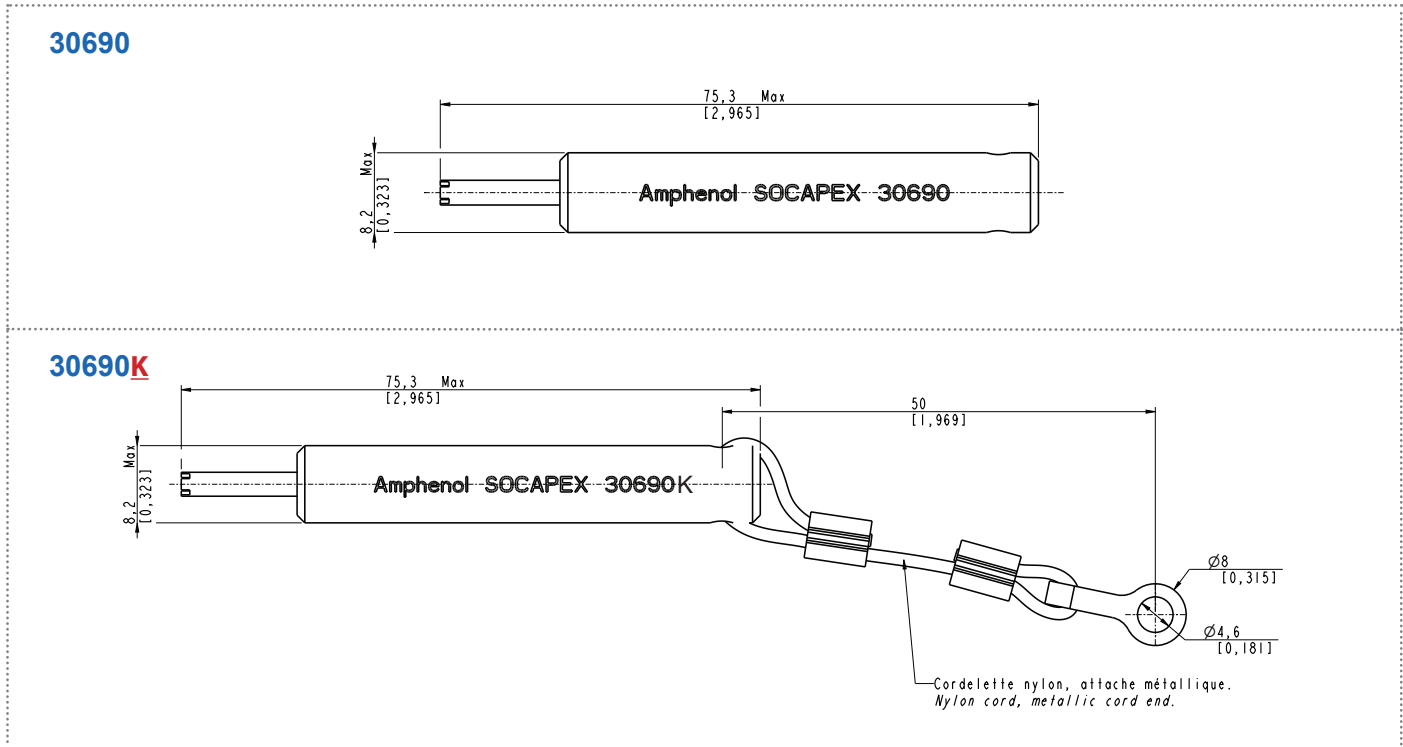


CAPLOCK M TV

Accessories



Tool to use CAPLOCK M TV



How to order CAPLOCK M TV

1.	2.	3.	4.
Series	Shell type	Material and platings	Shell size
CAPLOCK M	TV07	A	19

1. Series

CAPLOCK M	Metal CapLock serie
------------------	---------------------

2. Shell type

TVP00	Cap for square flange receptacle
TV07	Cap for Jam Nut receptacle

3. Material & platings

	Shell material	Shell plating
A	Aluminum	Black anodized ✓

Others platings or raw material, please **consult us**

✓ : RoHS compliant

4. Shell size

09	38999 serie III size 9
• 11	38999 serie III size 11
13	38999 serie III size 13
• 15	38999 serie III size 15
17	38999 serie III size 17
• 19	38999 serie III size 19
21	38999 serie III size 21
23	38999 serie III size 23
25	38999 serie III size 25

• Standard configurations available from stock in our distributors network.

